

VersaFlow Coriolis 1000 Mass Flow Sensor Specifications

34-VF-03-03 June 2012



The Superior Solution

The VersaFlow mass flow sensor is the only mass flow sensor with a straight measuring tube that is available in Stainless steel, Hastelloy[®], Titanium or Tantalum. VersaFlow reliably measures mass flow, density, volume, temperature, mass or volume concentration and solids content.

Highlights

- Single straight measuring tube
- Secondary pressure containment
- Low pressure loss
- Easily drained and easy to clean
- Choice of three different tube materials
- Excellent zero stability
- Low operating and installation costs
- Rapid signal processing even with varying conditions
- Modular/Plug & play electronics

Industries

- Water and Wastewater
- Mining & Building Materials
- Chemical
- Iron, Steel & Metal
- Food & Beverage
- Oil & Gas
- Pulp & Paper
- Petrochemical
- Pharmaceutical



Figure 1 – VersaFlow Mass Flow Sensor

Applications

- Viscous or shear-sensitive products
- Products requiring low flow velocities
- Inhomogeneous mixtures
- Products with entrained solids or gas
- Custody transfer
- Loading and product transfer measurement
- Slurries
- Highly corrosive fluids

Compact version



- 1) Comprehensive diagnostic capabilities.
- 2) Standard flange and hygienic process connections available.
- 3) Standard electronics for all sensors with redundant storage of calibration and sensor data.
- 4) Modular electronics with a range of output options (see separate documentation for details).



- 1) Remote terminal box.

Features



- Available as compact or remote.
- Low pressure loss - single straight tube design guarantees a low pressure drop across the meter.
- Self Draining.
- Easy to clean.

Connection options



- A range of flanges up to ASME 600 / PN100.
- Supports a wide range of industry standard hygienic connections.
- Adaptable to suit customer's hygienic connections.

Heating jacket and purge port



- Heating jacket option for use with temperature dependant products.
- Prevents solidification of process product.
- Purge port option for protection in the event of measuring tube failure.
- Allows hazardous chemicals to be drained away safely.
- Can also be used for the early detection of measuring tube failure where highly toxic chemicals are being measured.

Converter: Common hardware for all converters makes spares holding simpler



1. TWC 9000 C: Compact or integrally mounted on sensor
2. TWC 9000 F: Field mount up to 300 m / 1000 ft from sensor
3. TWC 9000 W: Wall mount for non-hazardous areas
4. TWC 9000 R: 19" Rack mount module for control room installation
5. TWC 010: Sensor electronics with Modbus output

Mass Flowmeter Product Family

All meters consist of a sensor and a converter. The converter may be mounted integral to the sensor, or remotely, either with a field mounting kit, a wall-mounted housing or a rack mounted housing. See specification 34-VF-03-04 for converter details.

Sensor: Sensors for any Applications



1. VersaFlow Coriolis 100: The general purpose solution for the process industry
2. VersaFlow Coriolis 1000: The optimum solution for chemical, food & beverage and pharmaceutical industry
3. VersaFlow Coriolis 200: Large diameter meter suitable for custody transfer measurement

Technical Data

Operating Data

Size (Note 1)	DN06	DN10	DN15	DN25	DN40	DN50	DN80
---------------	------	------	------	------	------	------	------

Flow Rate

Maximum flow rate [kg/h]	1230	3500	14600	44800	120000	234000	560000
Maximum flow rate [lbs/min]	35	100	400	1250	3300	6600	15800

Accuracy

Accuracy, liquid	±0.1% of actual measured flow rate
Accuracy, gas	±0.5% of actual measured flow rate
Repeatability	Better than 0.05% plus zero stability (includes the combined effects of repeatability, linearity and hysteresis)
Zero stability-Titanium	±0.004% of nominal flow rate with respective sensor size
Zero stability-Stainless Steel/ Hastelloy/Tantalum	±0.015% of nominal flow rate with respective sensor size

Reference Conditions

Product	Water
Temperature	20°C / 68°F
Operating pressure	1 bar _{rel.} / 14.5 psig

Density

Measuring range	400...2500 kg/m ³ / 25...155 lbs/ft ³
Accuracy	±2 kg/m ³ / ±0.13 lbs/ft ³
Accuracy (on-site calibration)	±0.5 kg/m ³ / ±0.033 lbs/ft ³

Hastelloy is a registered trademark of Haynes International.

Technical Data, Continued

Temperature	Titanium	Stainless Steel	Hastelloy	Tantalum
Measuring range	-40... +150° C/ -40 ...+302° F	0... +100° C/32 ...+212° F Extended range 0... +130° C/32 ...+266° F on Stn. Stl sizes DN25..80, hygienic conn. only		
Accuracy	±1°C / ±1.8°F			
Materials	Titanium	Stainless Steel	Hastelloy	Tantalum
Measuring Tube/ raised face	Titanium	Stainless Steel	Hastelloy	Tantalum
Flanges	Stainless Steel 316/316L (1.4401/1.4404) dual certified			
Outer cylinder - standard	Stainless Steel 304/304L (1.3401/1.4307) dual certified			
Outer cylinder – optional	n/a	Stainless Steel 316/316L (1.4401/1.4404) dual certified		
Optional Heating Jacket	Stainless Steel 316L (1.4404)			
Sensor Electronics	Stainless Steel 316L (1.4409)			
Junction Box – remote version	Die cast Aluminum (polyurethane coating Optional Stainless Steel 316L (1.4401)			
Nominal Pressure at 20°C /68°F	-1...100 barg/ - 14.5 ...1450 psig	-1...50 bar g/ -14.5 ...725 psig		
Outer Cylinder	Titanium	Stainless Steel	Hastelloy	Tantalum
Non PED/CRN Approved	Typical burst pressure > 100 barg. / 1450 psig			
PED/CRN Approved secondary containment	-1...63 barg. / -14.5...910 psig			
PED approved secondary containment	-1...100 barg. / -14.5...1450 psig			

Operating Data

Size (Note 1)	DN06	DN10	DN15	DN25	DN40	DN50	DN80
---------------	------	------	------	------	------	------	------

	Titanium	Stainless Steel, Hastelloy and Tantalum
Process Temperature	-40... +150° C/ -40 ...+302° F	0... +100° C/32 ...+212° F Extended range 0... +130° C/32 ...+266° F on Stn. Stl sizes DN25..80, hygienic conn. Only
Ambient Temperature		
Compact w/Aluminum Housing		-40... +60° C/-40 ...+140° F Extended temperature range +65° C/+149° F for some I/O options. For more information contact Honeywell
Compact w/Stn. Stl. Housing		-40... +55° C/-40 ...+130° F
Remote versions		-40... +65° C/-40 ...+149° F

Process Effects on the Sensor

Temperature - Titanium	0.001% per 1°C / 0.055% per 1°F
Temperature – Stainless Steel/ Hastelloy/ Tantalum	0.004% per 1°C / 0.0022% per 1°F
Pressure	0.0011% of the max flow rate per 1 bar _{rel.} / 0.000076% of the max flow rate per 1 psig

Note 1: Hastelloy available Sizes DN10 ... DN80. Tantalum available Sizes DN10... DN50

Approvals and Certifications

<u>Mechanical:</u>	
Electromagnetic compatibility (EMC) acc. to CE	Namur NE 21/5.95 89/336/EEC (EMC) 72/73/EEC (Low Voltage Directive)
European Pressure Equipment Directive	PED 97-23 EC (acc. to AD 2000 Regelwerk)
<u>Factory Mutual / CSA</u>	Class I, Div 1 groups B, C, D Class II, Div 1 groups E, F, G Class III, Div 1 hazardous areas Class I, Div 2 groups B, C, D Class II, Div 2 groups F, G Class III, Div 2 hazardous areas
ANSI / CSA (Dual Seal)	12.27.901-2003
Hygienic	3A 28-03 EHEDG ASME BPE
Custody transfer (pending)	MID 2004/22/EC MI-005

NEPSI (with TWC9000C/F, TWC 010)	Exdeib(ia)II C T1...T6, Exdib(ia)II C T1...T6,
---	--

ATEX (acc. 94/9/EC)	
Coriolis 1000/TWC9000C non Ex i Signal outputs without heating jacket / insulation	
Ex d connection compartment	II 2 G Ex d [ib] IIC T6...T1
	II 2 D Ex tD A21 IP6x T160°C
Ex e connection compartment	II 2 G Ex de [ib] IIC T6...T1
	II 2 D Ex tD A21 IP6x T160°C
Coriolis 1000/TWC9000C non Ex i signal outputs with heating jacket / insulation	
Ex d connection compartment	II 2 G Ex d [ib] IIC T6...T1
	II 2 D Ex tD A21 IP6x T170°C
Ex e connection compartment	II 2 G Ex de [ib] IIC T6...T1
	II 2 D Ex tD A21 IP6x T170°C
Coriolis 1000/TWC9000C Ex i signal outputs without heating jacket / insulation	
Ex d connection compartment	II 2(1) G Ex d [ja/ib] IIC T6...T1
	II 2(1) D Ex tD [jaD] A21 IP6x T160°C
Ex e connection compartment	II 2(1) G Ex de [ja/ib] IIC T6...T1
	II 2(1) D Ex tD [jaD] A21 IP6x T160°C

Coriolis 1000/TWC9000C Ex i signal outputs with heating jacket / insulation	
Ex d connection compartment	II 2(1) G Ex d [ia/ib] IIC T6....T1
	II 2(1) D Ex tD [iaD] A21 IP6x T170°C
Ex e connection compartment	II 2(1) G Ex de [ia/ib] IIC T6....T1
	II 2(1) D Ex tD [iaD] A21 IP6x T170°C
Coriolis 1000/TWC010 without heating/ insulation	II 2 G Ex ib IIC T6...T1
	II 2 D Ex ibD 21 T150 °C
Coriolis 1000/TWC010 with heating/ insulation	II 2 G Ex ib IIC T6...T1
	II 2 D Ex ibD 21 T165 °C

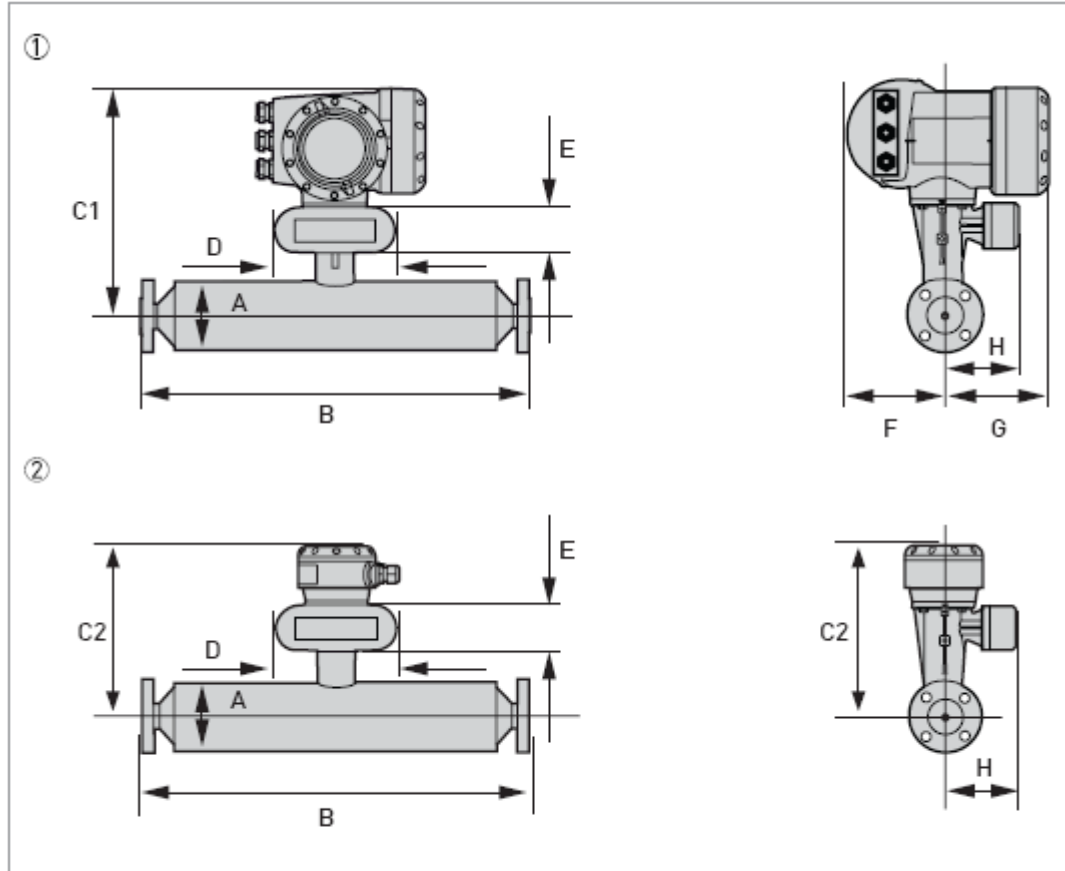
ATEX (acc. 94/9/EC) temperature limits (standard)	Ambient temp. Tamb °C	Max. medium temp. Tm °C	Temp. class	Max. surface temp. °C
Coriolis 1000/TWC9000 or TWC010 - without heating jacket / insulation	40	70	T6	T80
		90	T5	T95
		130	T4	T130
		150	T3-T1	T150
	50	70	T6	T80
		85	T5	T95
		130	T4	T130
		150	T3-T1	T150
	65	85	T5	T95
		130	T4	T130
		150	T3-T1	T150
	Coriolis 1000/TWC9000 or TWC010 - with heating jacket / insulation	40	65	T6
80			T5	T95
115			T4	T130
150			T3-T1	T165
65		80	T5	T95
		115	T4	T130
		150	T3-T1	T165

Coriolis 1000/TWC9000 - aluminium converter housing - no heating jacket / insulation	40	55	T6	T80
		75	T5	T95
		120	T4	T130
		150	T3-T1	T160
	50	75	T5	T95
		115	T4	T130
		150	T3-T1	T160
	60	60	T4-T1	T85
	65	65	T4-T1	T90
	Coriolis 1000/TWC9000 - aluminium converter housing - heating jacket / insulation	40	55	T6
70			T5	T95
100			T4	T125
145			T3-T1	T170
50		70	T4	T95
		100	T3-T1	T125
60		60	T4 - T1	T85
65		65	T4 - T1	T90

ATEX (acc. 94/9/EC) temperature limits (standard)	Ambient temp. Tamb °C	Max. medium temp. Tm °C	Temp. class	Max. surface temp. °C	
Coriolis 1000/TWC9000 - SS converter housing - no heating jacket / insulation	40	55	T6	T80	
		75	T5	T95	
		120	T4	T130	
		150	T3-T1	T160	
	50	75	T5	T95	
		115	T4	T130	
		135	T3-T1	T160	
	55	55	T4-T1	T80	
	Coriolis 1000/TWC9000 - SS converter housing - heating jacket / insulation	40	55	T6	T80
			70	T5	T95
100			T4	T125	
145			T3-T1	T170	
50		70	T4	T95	
		35	T3-T1	T100	
55		55	T4-T2	T80	

Dimensions and Weights

Flanged Versions



Meter weights for Titanium (T), Stainless Steel (S), Hastelloy (H) and Tantalum (A)

Weight – kg (lbs)

	T/S 06	T/S/H/A 10	T/S/H/A 15	T/S/H/A 25	T/S/H/A 40	T/S/H/A 50	T/S/H 80
Aluminium (compact)	18.5 (40.7)	23 (50.6)	26 (57.2)	37 (81.4)	83 (182.6)	147 (323.4)	265 (583)
Stainless Steel (compact)	25.2 (55.4)	29.7 (65.3)	32.7 (71.9)	43.7 (96.1)	89.7 (197.3)	153.7 (338.1)	271.7 (597.7)
Aluminium (remote)	15.7 (34.5)	20.2 (44.4)	23.2 (51)	34.2 (75.2)	80.2 (176.4)	144.2 (317.2)	262.2 (576.8)
Stainless Steel (remote)	16.5 (36.3)	21 (46.2)	24 (52.8)	35 (77)	81 (178.2)	145 (319)	263 (578.6)
Tantalum add	n/a	2.3 (5.1)	2.7 (5.9)	4.5 (9.9)	9.2 (20.2)	15.1 (33.2)	n/a

Measuring tube in Titanium (T), Stainless Steel (S) or Hastelloy(H)**Dimensions – mm (inches)**

	T/S 06	T/S/H 10	T/S/H 15	T/S/H 25	T/S/H 40	T/S/H 50	T/S/H 80
A	102 (4)			115 (4.5)	170 (6.7)	220 (8.7)	274 (10.8)
B	See B Dimension Table						
C1 (compact)	311 (12.2)			318 (12.5)	345 (13.6)	370 (14.6)	397 (15.6)
C2 (remote)	231 ±2 (9 ±0.08)			237 ±2 (9.3 ±0.08)	265 ±2 (10.4 ±0.08)	290 ±2 (11.4 ±0.08)	317 ±4 (12.5 ±0.16)
D	160 (6.3)						
E	60 (2.4)						
F	123.5 (4.9)						
G	137 (5.4)						
H	98.5 (3.9)						

Measuring Tube in Tantalum (A)**Dimensions – mm (inches)**

	06	A10	A15	A25	A40	A50	80
A	n/a		102 (4)	115 (4.5)	170 (6.7)	220 (8.7)	n/a
B	See B Dimension Table						
C1 compact)	n/a	311 (12.2)	311 (12.2)	318 (12.5)	345 (13.6)	n/a	
C2 (remote)	n/a	n/a	231 ±2 (9 ±0.08)	237 ±2 (9.3 ±0.08)	265 ±2 (10.4 ±0.08)	370 (14.6)	n/a
D	n/a	160 (6.3)					
E	n/a	60 (2.4)					n/a
F	n/a	123.5 (4.9)					n/a
G	n/a	137 (5.4)					n/a
H	n/a	98.5 (3.9)					n/a

B Dimension mm (in) - Titanium (T), Stainless Steel (S), Hastelloy C (H)

DIN	T/S 06	T/S/H 10	T/S/H 15	T/S/H 25	T/S/H 40	T/S/H 50	T/S/H 80
DN10	420 ±2	510 ±2					
	(16.5± 0.08)	(20 ±0.08)					
DN15	420 ±2	510 ±2	548 ±2				
	(16.5± 0.08)	(20 ±0.08)	(21.6 ±0.08)				
DN25			548 ±2	700 ±2			
			(21.6 ±0.08)	(27.5 ±0.08)			
DN40				700 ±2	925 ±2		
				(27.5 ±0.08)	(36.4 ±0.08)		

B Dimension mm (in) - Titanium (T), Stainless Steel (S), Hastelloy C (H)

DIN	T/S 06	T/S/H 10	T/S/H 15	T/S/H 25	T/S/H 40	T/S/H 50	T/S/H 80
DN50					925 ±2	1101 ±2	
					(36.4 ±0.08)	(43.3 ±0.08)	
DN80						1101 ±2	1460 ±4
						(43.3 ±0.08)	(57.5 ±0.16)
DN100							1460 ±4
							(57.5 ±0.16)
Torque/ Groove	T/S 06	T/S/H 10	T/S/H 15	T/S/H 25	T/S/H 40	T/S/H 50	T/S/H 80
DN10	428±2	518 ±2					
	(16.8± 0.08)	(20.3 ±0.08)					
DN15	428±2	518 ±2	556 ±2				
	(16.8± 0.08)	(20.3 ±0.08)	(21.9 ±0.08)				
DN25			556 ±2	708 ±2			
			(21.9 ±0.08)	(27.8 ±0.08)			
DN40				708 ±2	933 ±2		
				(27.8 ±0.08)	(36.7 ±0.08)		
DN50					933 ±2	1109 ±2	
					(36.7 ±0.08)	(43.6 ±0.08)	
DN80						1109 ±2	1468 ±4
						(43.6 ±0.08)	(57.8 ±0.16)
DN100							1468 ±4
							(57.8 ±0.16)

B Dimension mm (in) - Tantalum (A)

DIN	A 06	A 10	A 15	A 25	A 40	A 50	A 80
DN10	NA	557 ±2					NA
		(21.9 ±0.08)					
DN15	NA	557 ±2	633 ±2				NA
		(21.9 ±0.08)	(24.9 ±0.08)				
DN25	NA		633 ±2	800 ±2			NA
			(24.9 ±0.08)	(31.5 ±0.08)			
DN40	NA			800 ±2	1075 ±2		NA
				(31.5 ±0.08)	(42.3 ±0.08)		
DN50	NA				1075 ±2	1281 ±2	NA
					(42.3 ±0.08)	(50.4 ±0.08)	

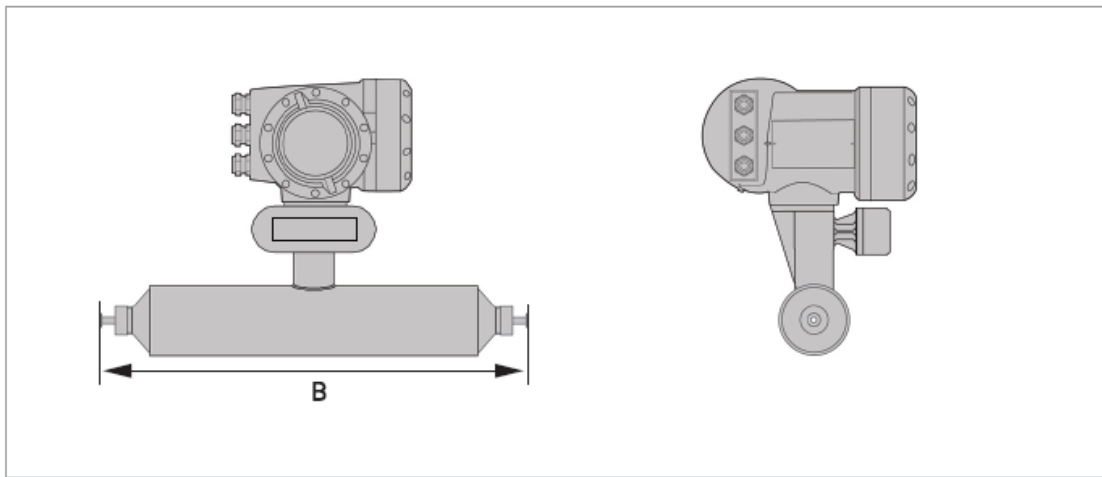
DIN	A 06	A 10	A 15	A 25	A 40	A 50	A 80
DN80	NA					1281 ±2	NA
						(50.4 ±0.08)	
DN100	NA						NA

B Dimension mm (in) - Titanium (T), Stainless Steel (S), Hastelloy C (H)

ASME 150/ 300 lb	T/S 06	T/S/H 10	T/S/H 15	T/S/H 25	T/S/H 40	T/S/H 50	T/S/H 80
1/2"	420 ±2 (16.5± 0.08)	510 ±2 (20 ±0.08)	548 ±2 (21.6 ±0.08)				
3/4"			548 ±2 (21.6 ±0.08)				
1"			548 ±2 (21.6 ±0.08)	700 ±2 (27.5 ±0.08)			
1 1/2"				700 ±2 (27.5 ±0.08)	925 ±2 (36.4 ±0.08)		
2"					925 ±2 (36.4 ±0.08)	1101 ±2 (43.3 ±0.08)	
3"						1101 ±2 (43.3 ±0.08)	1460 ±4 (57.5 ±0.16)
4"							1460 ±4 (57.5 ±0.16)
ASME 600 lb	T/S 06	T/S/H 10	T/S/H 15	T/S/H 25	T/S/H 40	T/S/H 50	T/S/H 80
1/2"	428 ±2 (16.8 ±0.08)	518 ±2 (20.4±0.08)	556 ±2 (21.9 ±0.08)				
3/4"			556 ±2 (21.9 ±0.08)				
1"			556 ±2 (21.9 ±0.08)	708 ±2 (27.8 ±0.08)			
1 1/2"				708 ±2 (27.8 ±0.08)	933 ±2 (36.7±0.08)		
2"					933 ±2 (36.7±0.08)	1109 ±2 (43.7 ±0.08)	
3"						1109 ±2 (43.7 ±0.08)	1468 ±4 (57.8 ±0.16)
4"							1468 ±4 (57.8 ±0.16)

B Dimension mm (in) - Tantalum (A)

ASME 150/ 300 lb	A 06	A 10	A 15	A 25	A 40	A 50	A 80
1/2"	NA	557 ±2 (21.9 ±0.08)	633 ±2 (24.9 ±0.08)				NA
3/4"	NA		633 ±2 (24.9 ±0.08)				NA
1"	NA		633 ±2 (24.9 ±0.08)	800 ±2 (31.5 ±0.08)			NA
1 1/2"	NA			800 ±2 (31.5 ±0.08)	1075 ±2 (42.3 ±0.08)		NA
2"	NA				1075 ±2 (42.3 ±0.08)	1281 ±2 (50.4 ±0.08)	NA
3"	NA					1281 ±2 (50.4 ±0.08)	NA
4"	NA						NA



Hygienic Connections: Adapter Versions (male thread) Titanium (T) and Stainless Steel (S)

Dimension B [mm ±2]

	10	15	25	40	50	80
Male thread DIN 11851						
DN10	596					
DN15		634				
DN25			802			
DN40				1040		
DN50					1220	
DN80						1658

Dimension B [mm ±2]

	10	15	25	40	50	80
Male thread SMS						
1"		665				
1½"			852			
2"				1074		
3"					1360	

Dimension B [mm ±2]

	10	15	25	40	50	80
Male thread IDF/ISS						
1"		664				
1½"			854			
2"				1076		
3"					1354	

Dimension B [mm ±2]

	10	15	25	40	50	80
Male thread RJT						
1"		676				
1½"			866			
2"				1088		
3"					1366	

Dimension B [inches ±0.08]

	10	15	25	40	50	80
Male thread DIN 11851						
DN10	23.5					
DN15		25				
DN25			31.6			
DN40				41		
DN50					48	
DN80						65.3

Dimension B [inches ±0.08]

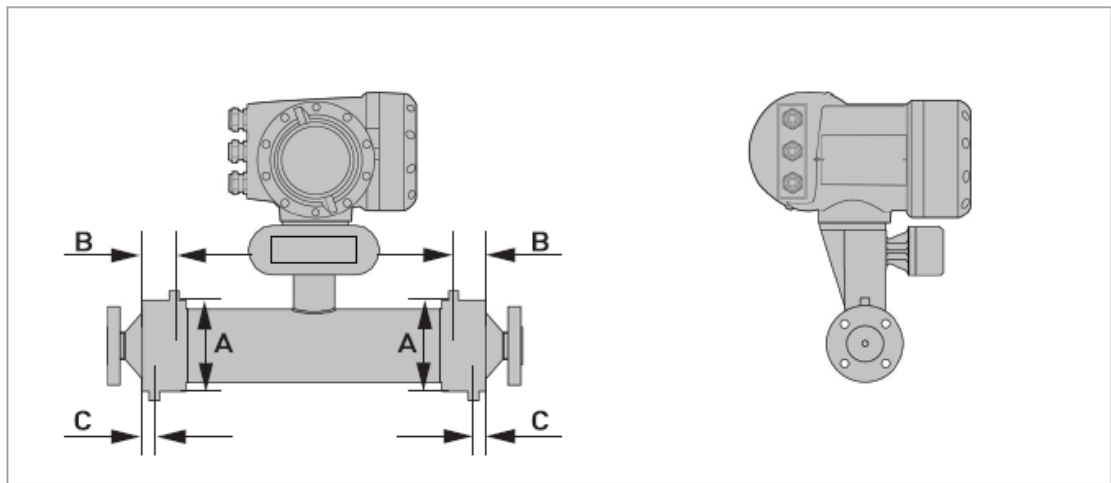
	10	15	25	40	50	80
Male thread SMS						
1"		26.2				
1½"			33.5			
2"				42.3		
3"					53.5	

Dimension B [inches ±0.08]

	10	15	25	40	50	80
Male thread IDF/ISS						
1"		26.1				
1½"			33.6			
2"				42.4		
3"					53.3	

Dimension B [inches ±0.08]

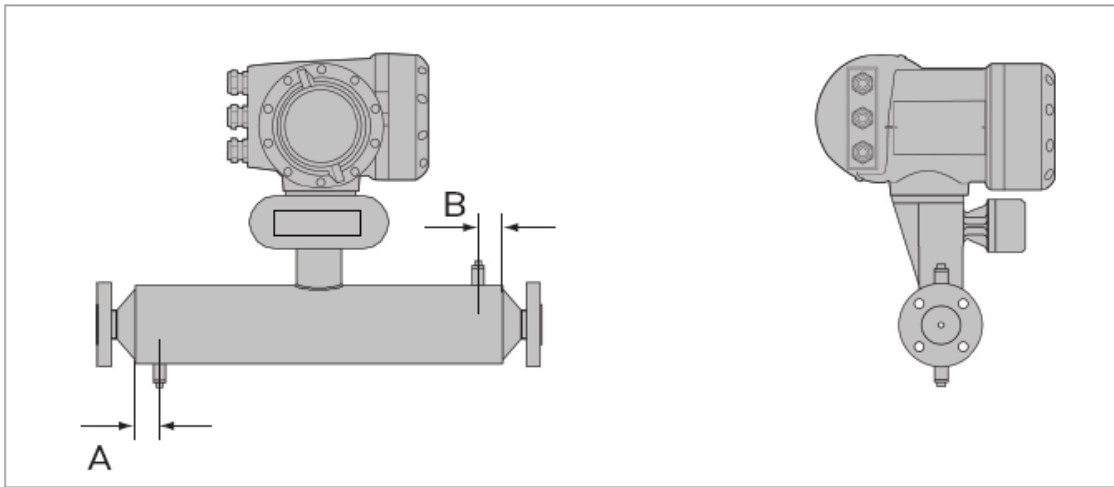
	10	15	25	40	50	80
Male thread RJT						
1"		26.6				
1½"			34.1			
2"				42.8		
3"					53.8	



Heating Jacket Version

Dimensions – mm (inches)

	10	15	25	40	50	80
Heating connection size	12mm (ERMETO) (½" (NPTF))			25mm (ERMETO) (1" (NPTF))		
A	115 ±1 (4.5 ±0.04)	142 ±1 (5.6 ±0.04)	206 ±1 (8.1 ±0.04)	254 ±1 (10 ±0.04)	305 ±1 (12 ±0.04)	
Titanium						
B	36 ±1 (1.4 ±0.04)	51 ±1 (2 ±0.04)	100 ±1 (3.9 ±0.04)	90 ±1 (3.5 ±0.04)	175 ±1 (6.9 ±0.04)	385 ±1 (15.2 ±0.04)
C	20 (0.8)			26 ±1 (1.0 ±0.04)		
Stainless Steel & Hastelloy						
B	-	51 ±1 (2 ±0.04)	55 ±1 (2.2 ±0.04)	90 ±1 (3.5 ±0.04)	100 ±2 (3.9 ±0.08)	200 ±2 (7.9 ±0.08)
C	-	20 (0.8)		26 ±1 (1.0 ±0.04)		
Tantalum						
B	-	51 ±1 (2 ±0.04)	55 ±1 (2.2 ±0.04)	90 ±1 (3.5 ±0.04)	100 ±2 (3.9 ±0.08)	-
C	-	20 (0.8)		26 ±1 (1.0 ±0.04)		-

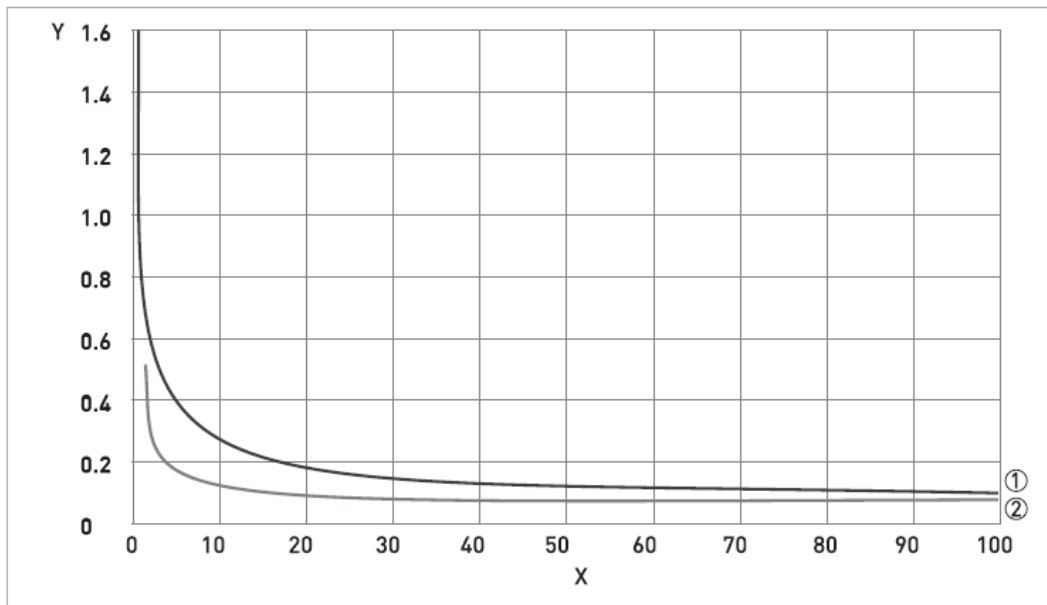


Purge Port Option

Dimensions – mm (inches)

	06	10	15	25	40	50	80
Titanium & Stainless Steel							
A	65 (2.6)		30 (1.2)			65 (2.6)	
B		30 (1.2)				65 (2.6)	
Hastelloy							
A	-		30 (1.2)			65 (2.6)	
B	-		30 (1.2)			65 (2.6)	
Tantalum							
A	-	-	30 (1.2)			65 (2.6)	-
B	-	-	30 (1.2)			65 (2.6)	-

Measuring Accuracy



X flow rate [%]

Y measuring error [%]

1 Stainless Steel, Hastelloy and Tantalum

2 Titanium

Measuring error

The measuring error is obtained from the combined effects of accuracy and zero stability.

Reference conditions

Product: Water

Temperature: +20°C / +68°F

Operating pressure: 1 barg / 14.5 psig

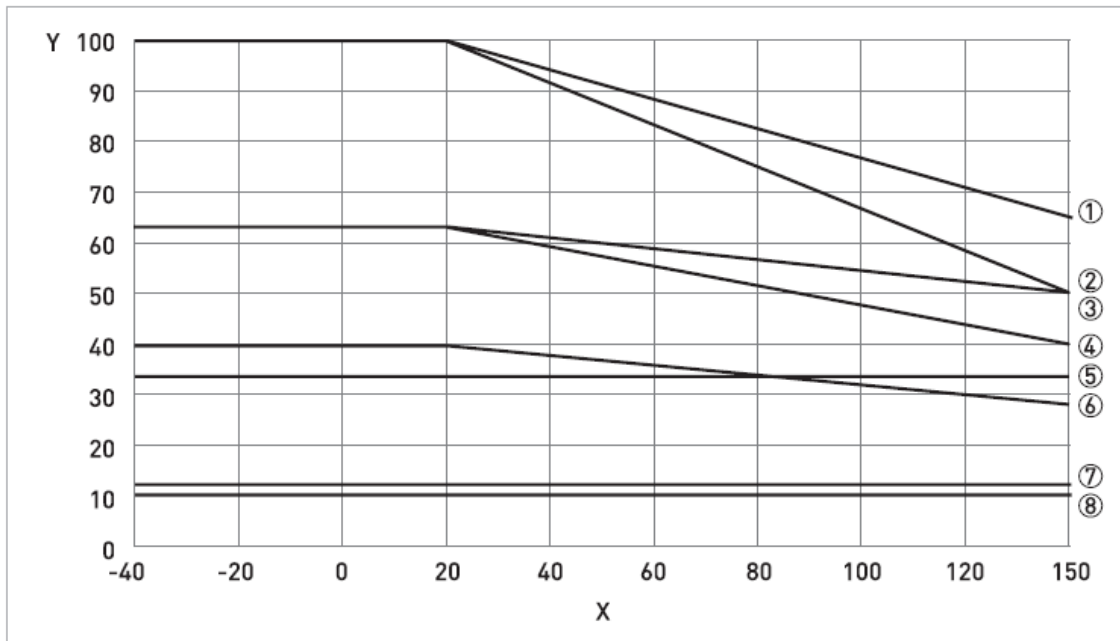
Guidelines for Maximum Operating Pressure

Notes

- Ensure that the meter is used within its operating limits
- All hygienic process connections have a maximum operating rating of 10 barg at 130°C /145 psig at 266°F

Pressure / temperature de-rating for Titanium Gr 9 meters

(all meter sizes, with flanged connections as per EN 1092-1)

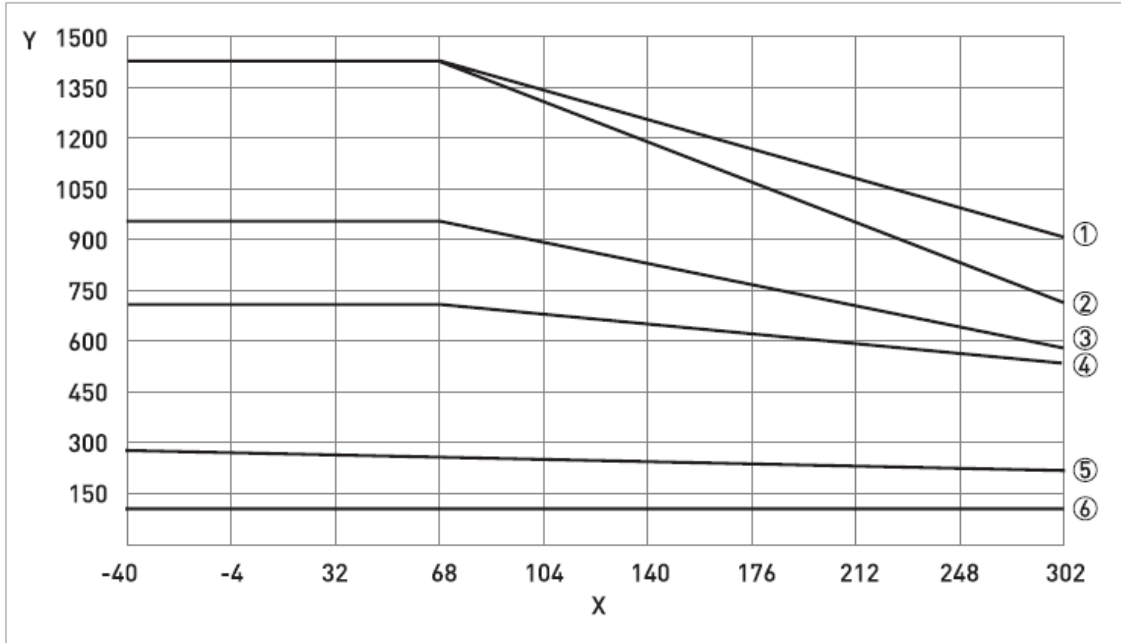


X temperature [° C]

Y pressure [barg]

- 1 Standard tube and outer cylinder 316L (100 barg PED option) with PN100 flanges (sizes DN06...25)
- 2 Standard tube and outer cylinder 316L (100 barg PED option) with PN100 flanges (sizes DN40...80)
- 3 DIN 2637 PN63 flanges
- 4 Outer cylinder 304 (63 barg PED / CRN option)
- 5 JIS 20K flanges
- 6 DIN 2635 PN40 flanges
- 7 JIS 10K flanges
- 8 Hygienic connections

Pressure / temperature de-rating for Titanium Gr 9 meters
 (all meter sizes with flanged connections as per ASME B16.5)

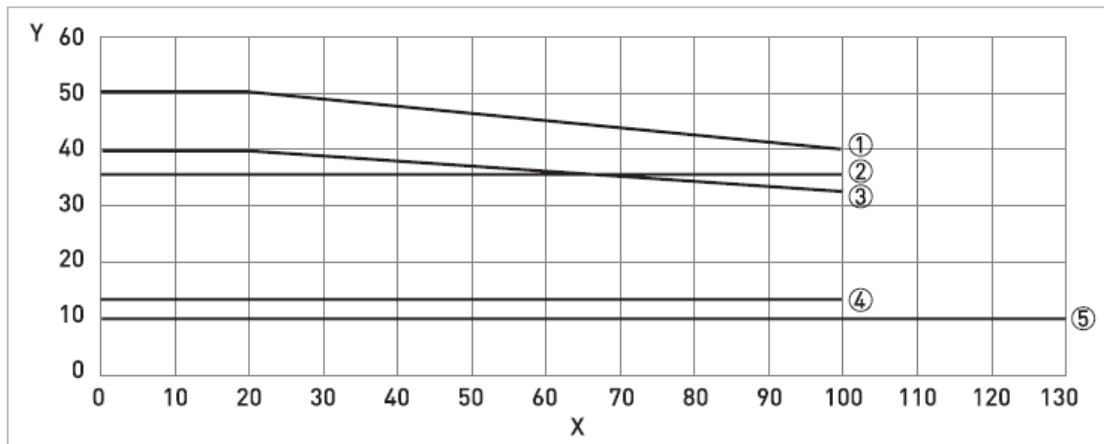


X temperature [°F]

Y pressure [psig]

- 1 Standard tube and outer cylinder 316L (100 barg PED option) with ASME 600 lbs flanges (sizes DN06...25)
- 2 Standard tube and outer cylinder 316L (100 barg PED option) with ASME 600 lbs flanges (sizes DN40...80)
- 3 Outer cylinder 304 (63 barg PED / CRN option)
- 4 ASME 300 lbs
- 5 ASME 150 lbs
- 6 Hygienic connections

Pressure / temperature de-rating for Stainless Steel, Hastelloy C22 and Tantalum meters
(all meter sizes with flanged connections as per EN 1092-1)

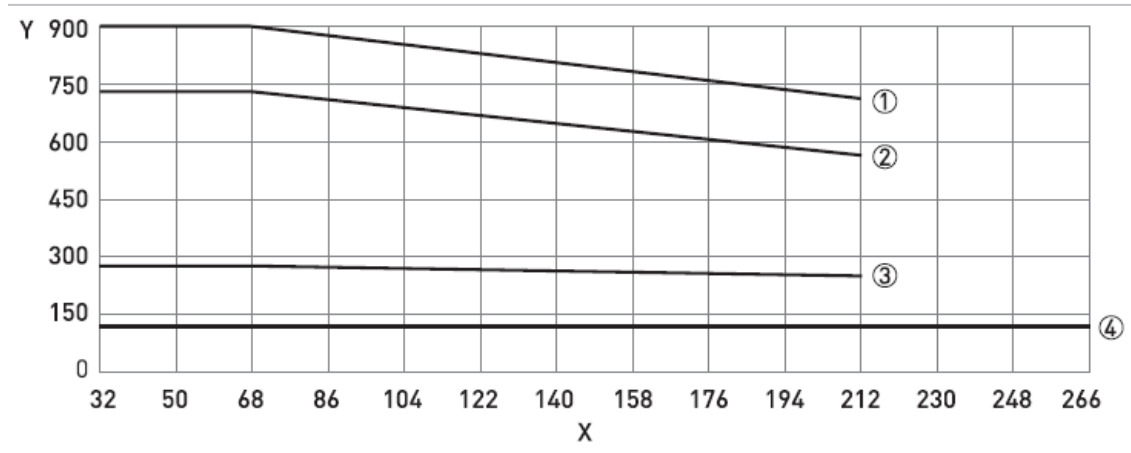


X temperature [° C]

Y pressure [barg]

- 1 Standard tubes and outer cylinder 304 (all sizes) (63 barg PED / CRN option)
- 2 JIS 20K flanges
- 3 DIN 2635 PN40 flanges
- 4 JIS 10K flanges
- 5 Hygienic connections (extended temperature option, Stainless Steel only)

Pressure / temperature de-rating for Stainless Steel, Hastelloy C22 and Tantalum meters(all meters with flanged connections as per ASME B16.5)



X temperature [°F]

Y pressure [psig]

- 1 Outer cylinder (all sizes) (63 barg PED / CRN option)
- 2 ASME 300 lbs
- 3 ASME 150 lbs
- 4 Hygienic connections (extended temperature option, Stainless Steel only)

Flanges

- DIN flange ratings are based on EN 1092-1 2001 table 18, 1% proof stress material group 14EO
- ASME flange ratings are based on ASME B16.5 2003 table 2 material group 2.2
- JIS flange ratings are based on JIS 2220: 2001 table 1 division 1 material group 022a

Notes

- The maximum operating pressure will be either the flange rating or the measuring tube rating, WHICHEVER IS THE LOWER!
- The manufacturer recommends that the seals are replaced at regular intervals. This will maintain the hygienic integrity of the connection.

Specifications are subject to change without notice

For More Information

Learn more about how Honeywell's VersaFlow Coriolis 1000 Mass Flow Sensor can provide rapid signal processing even with varying conditions, visit our website www.honeywellprocess.com/flow-meters or contact your Honeywell account manager.

Honeywell Process Solutions

1860 West Rose Garden Lane
Phoenix, Arizona 85027
Tel: 1-800-423-9883 or 1-800-343-0228
www.honeywellprocess.com

34-VF-03-03
June 2012
© 2011 Honeywell International Inc.

Honeywell