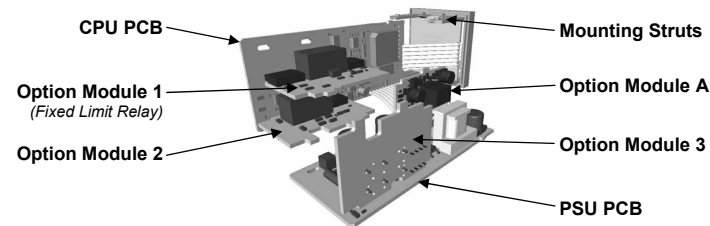


HONEYWELL UDC1200L MICRO-PRO
UNIVERSAL LIMIT CONTROLLER PRODUCT MANUAL (51-52-25-132)

CAUTION: Installation should be only performed by technically competent personnel. Local Regulations regarding electrical installation & safety must be observed.

1. INSTALLATION

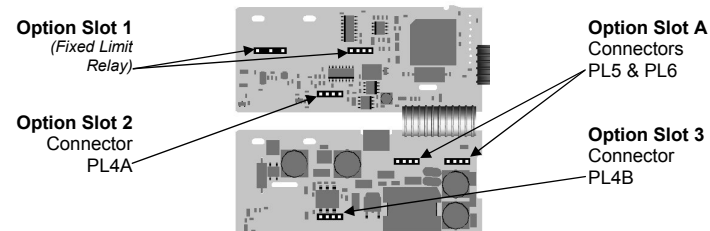
Installing Option Modules



- To access module A, first detach the PSU and CPU boards from the front by lifting first the upper, and then lower mounting struts. Gently separate the boards.
- Plug the required option modules into the correct connectors, as shown below.
 - Locate the module tongues in the corresponding slot on the opposite board.
 - Hold the main boards together while relocating slot on the mounting struts.
 - Replace the instrument by aligning the CPU and PSU boards with their guides in the housing, then slowly push the instrument back into position.

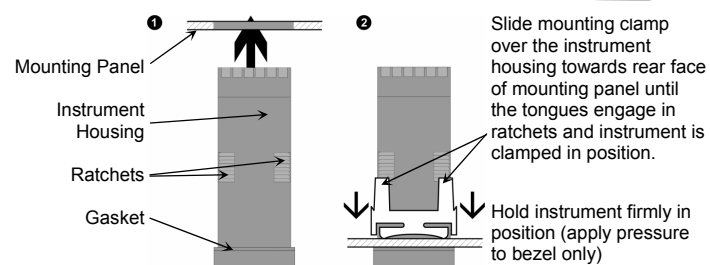
Note: Option modules are automatically detected at power up.

Option Module Connectors



Panel-Mounting

The mounting panel must be rigid, and may be up to 6.0mm (0.25inch) thick
For n multiple instruments mounted side-by-side, cut-out is 48n-4mm

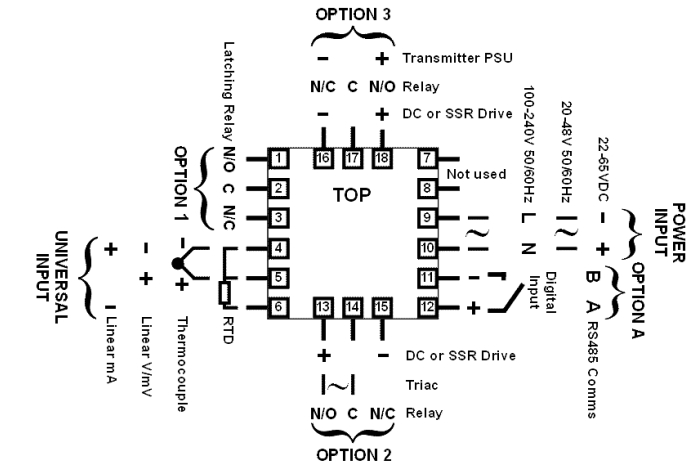


CAUTION: Do not remove the panel gasket; it is a seal against dust and moisture.

Rear Terminal Wiring

USE COPPER CONDUCTORS (EXCEPT FOR T/C INPUT)

Single Strand wire gauge: Max 1.2mm (18SWG)



Actual connections required depend on the options fitted.

CAUTION: Check information label on housing for correct operating voltage before connecting supply to Power Input
Fuse: 100 – 240V ac – 1amp anti-surge
24/48V ac/dc – 315mA anti-surge

2. SELECT MODE

Select mode is used to access the configuration and operation menu functions. It can be accessed at any time by holding down **SETUP** and pressing **▲**. In select mode, press **▲** or **▼** to choose the required mode, press **SETUP** to enter. An unlock code is required to prevent unauthorised entry to Configuration, & Setup modes. Press **▲** or **▼** to enter the unlock code, then press **SETUP** to proceed.

Note: At first power-up the message **Go to Conf** is displayed, (see section 6). Access to other menus is denied until configuration mode is completed

Mode	Upper Display	Lower Display	Description	Default Unlock Codes
Operator	OPtr	SLCt	Normal operation	None
Set Up	SEtP	SLCt	Tailor settings to the application	10
Configuration	ConF	SLCt	Configure the instrument for use	20
Product Info	inFo	SLCt	Check manufacturing information	None

Note: The instrument will always return automatically to Operator mode if there is no key activity for 2 minutes.

3. CONFIGURATION MODE

First select Configuration mode from Select mode (refer to section 2). Press **SETUP** to scroll through the parameters, then press **▲** or **▼** to set the required value. Press **RESET** to accept the change, otherwise parameter will revert to previous value. To exit from Configuration mode, hold down **SETUP** and press **▲**, to return to Select mode.

Note: Parameters displayed depends on how instrument has been configured. Refer to user guide (available from your supplier) for further details. Parameters marked * are repeated in Setup Mode.

Parameter	Lower Display	Upper Display	Adjustment range & Description	Default Value	
Input Range/Type	inPt		See following table for possible codes	JC	
Code	Input Type & Range	Code	Input Type & Range	Code	Input Type & Range
bC	B: 100 - 1824 °C	Lc	L: 0.0 - 537.7 °C	P24F	PIRh20% vs 40%: 32 - 3362 °F
bF	B: 211 - 3315 °F	Lf	L: 32.0 - 999.9 °F	PtF	P1100: -199 - 800 °C
cC	C: 0 - 2320 °C	nC	N: 0 - 1399 °C	PtC	P1100: -328 - 1472 °F
cF	C: 32 - 4208 °F	nF	N: 32 - 2551 °F	PtF	P1100: -199.9 - 999.9 °F
Jc	J: -200 - 1200 °C	rc	R: 0 - 1759 °C	PtC	P1100: -128.8 - 537.7 °C
Jf	J: -328 - 2192 °F	rf	R: 32 - 3198 °F	PtF	P1100: -199.9 - 999.9 °F
Jc	J: -128.8 - 537.7 °C	Sc	S: 0 - 1762 °C	0.20	0 - 20 mA DC
Jf	J: -199.9 - 999.9 °F	Sf	S: 32 - 3204 °F	4.20	4 - 20 mA DC
Kc	K: -240 - 1373 °C	tc	T: -240 - 400 °C	0.50	0 - 50 mV DC
Kf	K: -400 - 2503 °F	tf	T: -400 - 752 °F	10.50	10 - 50 mV DC
Kc	K: -128.8 - 537.7 °C	tc	T: -128.8 - 400.0 °C	0.5	0 - 5 V DC
Kf	K: -199.9 - 999.9 °F	tf	T: -199.9 - 752.0 °F	1.5	1 - 5 V DC
Lc	L: 0 - 762 °C	P24C	PIRh20% vs. 40%: 0 - 1850 °C	0.10	0 - 10 V DC
Lf	L: 32 - 1403 °F	P24F	PIRh20% vs. 40%: 0 - 1850 °C	2.10	2 - 10 V DC

Note: Decimal point shown in table indicates temperature resolution of 0.1°

Parameter	Lower Display	Upper Display	Adjustment range & Description	Default Value
Scale Range Upper Limit	ruL		Scale Range Lower Limit +100 to Range Maximum	Range max (Lin=1000)
Scale Range Lower Limit	rlL		Range Minimum to Scale Range Upper Limit -100	Range min (Linear=0)
Decimal point position	dPoS		0=XXXX, 1=XXX.X, 2=XX.XX, 3=X.XXX (non-temperature ranges only)	1
Process Variable Offset	OFFS		±Span of controller (see CAUTION note at end of section)	0
Limit Action	Ctrl	H	High Limit. Limit relay is energised when process "safe" (PV < Limit Setpoint)	H
		Lo	Low Limit. Limit relay is energised when process "safe" (PV > Limit Setpoint)	
Setpoint Upper Limit	SPuL		Current Setpoint to Scale Range maximum	R/max
Setpoint Lower Limit	SPlL		Scale Range minimum to Current Setpoint	R/min
Alarm 1Type	ALR1	P_H	Process High Alarm	P_H
		P_Lo	Process Low Alarm	
		dE	Deviation Alarm	
		bAnd	Band Alarm	
High Alarm 1 value*	PhA1		Scaled Range Minimum to scaled Range Maximum in display units	Range Max
Low Alarm 1 value*	PLA1			Range Min
Band Alarm 1 value*	bAL1		1 LSD to span from setpoint in display units	5
Dev. Alarm 1 value*	dAL1		+/- Span from setpoint in display units	5
Alarm 1 Hysteresis*	AHY1		1 LSD to full span in display units	1

Parameter	Lower Display	Upper Display	Description	Default Value			
Alarm 2 Type*	ALR2		Options as for alarm 1	P_Lo			
High Alarm 2 value*	PhA2		Limit Output Relay	Range Max			
Low Alarm 2 value*	PLR2		Alarm 1, Direct	Range Min			
Band Alarm 2 value*	bAL2		Alarm 1, Reverse	5			
Dev. Alarm 2 Value*	dAL2		Alarm 2, Direct	5			
Alarm 2 Hysteresis*	AHY2		Alarm 2, Reverse	1			
Output 2 Usage	USE2	ALd	Limit Annunciator, Direct	ALd			
		ALr	Limit Annunciator, Reverse				
		ORd	Logical Alarm 1 OR 2, Direct				
		ORr	Logical Alarm 1 OR 2, Reverse				
		ANDd	Logical Alarm 1 AND 2, Direct				
		ANDr	Logical Alarm 1 AND 2, Reverse				
		RET5	Retransmit Limit SP Output		rEtP		
		REtP	Retransmit PV Output				
		Linear Output 2 Range	tYP2		0.5	0 to 5 V DC output 1	0.10
					0.10	0 to 10 V DC output	
2.10	2 to 10 V DC output						
4.20	4 to 20 mA DC output						
Retransmit Output 2 Scale maximum	ro2H		-1999 to 9999 (display value at which output will be maximum)	Range max			
Retransmit Output 2 Scale minimum	ro2L		-1999 to 9999 (display value at which output will be minimum)	Range min			
Output 3 Usage	USE3		As for output 2	ALd			
Linear Output 3 Range	tYP3		As for output 2	0.10			
Retransmit Output 3 Scale maximum	ro3H		-1999 to 9999 (display value at which output will be maximum)	Range max			
Retransmit Output 3 Scale minimum	ro3L		-1999 to 9999 (display value at which output will be minimum)	Range min			
Display Strategy	dISP	EnAb	PV is visible in Operator mode	EnAb			
		dISA	PV not visible in Operator mode				
Serial Communications Protocol	Prot	ASC1	ASCII	r7bn			
		r7bn	Modbus with no parity				
		r7bE	Modbus with Even Parity				
Serial Communications Bit Rate	bAud	1.2	1.2 kbps	4.8			
		2.4	2.4 kbps				
		4.8	4.8 kbps				
		9.6	9.6 kbps				
Comms Address	Addr		1 to 255 (Modbus), 1 to 99 (ASCII)	1			
Comms Write	CoEn	r_wJ	Read/Write	r_wJ			
		r_o	Read only				
Configuration Lock Code	CLoc		0 to 9999	20			

Notes: Output 1 is always a Latching Limit Relay output. If Option Slot A has the Digital Input module fitted, this always functions as a Remote Reset, duplicating the function of the Reset key [RESt].

As these functions cannot be changed, no Configuration menus are required.

CAUTION: Process Variable Offset can be used to modify the measured value to compensate for probe errors. Positive values increase the reading, negative values are subtracted. This parameter is effectively, a calibration adjustment and MUST be used with care. There is no front panel indication of when this parameter is in use.

4. SETUP MODE

Note: Configuration must be completed before adjusting Setup parameters. First select Setup mode from Select mode (refer to section 2). The Setup LED S will light while in Setup mode. Press **SETUP** to scroll through the parameters, then press **▲** or **▼** to set the required value.

To exit from Setup mode, hold down **SETUP** and press **▲** to return to Select mode. Note: Parameters displayed depends on how instrument has been configured.

Parameter	Lower Display	Upper Display	Description	Default Value
Limit Setpoint value	SP		Scaled Range Minimum to scaled Range Maximum	R/max if Ctrl=L-H, R/min if Ctrl=L-O
Limit Hysteresis	HYSt		1 LSD to full span in display units, on the safe side of the limit SP	1
Input Filter Time Constant	FILt		OFF or 0.5 to 100.0 secs (see CAUTION note below)	2.0
High Alarm 1 value	PhA1		Scaled Range Minimum to scaled Range Maximum	R/max
Low Alarm 1 value	PLA1			R/min
Deviation Alarm 1 Value	dAL1		±Span from SP in display units	5
Band Alarm 1 value	bAL1		1 LSD to span from setpoint	5
Alarm 1 Hysteresis	AHY1		1 LSD to full span in display units	1
High Alarm 2 value	PhA2		Scaled Range Minimum to scaled Range Maximum	R/max
Low Alarm 2 value	PLA2			R/min
Deviation Alarm 2 Value	dAL2		±Span from SP in display units	5
Band Alarm 2 value	bAL2		1 LSD to span from setpoint	5
Alarm 2 Hysteresis	AHY2		1 LSD to full span in display units	1
Setup Lock Code	SLoc		0 to 9999	10

Note: Operator mode screens follow, without exiting from Setup mode.

CAUTION: An excessively large filter time could significantly delay detection of a limit condition. Set this value to the minimum required to remove noise from the process variable

5. PRODUCT INFORMATION MODE

First select Product information mode from Select mode (refer to section 2). Press **SETUP** to view each parameter. To exit from Product Information mode, hold down **SETUP** and press **▲** to return to Select mode.

Note: These parameters are all read only.

Parameter	Lower Display	Upper Display	Description
Input type	In_1	Un_1	Universal input
Option 1 type (fixed)	OPn1	rLY	Latching Limit Relay
Option 2 module type fitted	OPn2	nonE	No option fitted
		rLY	Relay output
		SSr	SSR drive output
		tr_1	Triac output
Option 3 module type fitted	OPn3	L_in	Linear DC voltage / current output
		nonE	No option fitted
		rLY	Relay output
		SSr	SSR drive output
Auxiliary Option A module type fitted	OPnA	L_in	Linear DC voltage / current output
		dc24	24VDC Transmitter power supply
Firmware type	FLW	nonE	No option fitted
		r485	RS485 communications
Firmware issue	ISS		Digital Input for remote reset
Product Revision Level	P_rL		Value displayed is firmware type number
Date of manufacture	d077		Value displayed is firmware issue number
Serial number 1	S_n1		Value displayed is Product Revision level
Serial number 2	S_n2		Manufacturing date code (mmyy)
Serial number 3	S_n3		First four digits of serial number
			Middle four digits of serial number
			Last four digits of serial number

6. MESSAGES & ERROR INDICATIONS

Parameter	Upper Display	Lower Display	Description
Instrument parameters are in default conditions	Goto	Conf	Configuration & Setup required. This screen is seen at first turn on, or if hardware configuration has been changed. Press Setup to enter the Configuration Mode, next press ▲ or ▼ to enter the unlock code number, then press Setup to proceed
Input Over Range	[HH]	Normal	Process variable input > 5% over-range
Input Under Range	[LL]	Normal	Process variable input > 5% under-range
Input Sensor Break	OPEN	Normal	Break detected in process variable input sensor or wiring
Option 1 Error	Err	OPn1	Option 1 module fault
Option 2 Error		OPn2	Option 2 module fault
Option 3 Error		OPn3	Option 3 module fault
Option A Error		OPnA	Option A module fault

7. OPERATOR MODE

This mode is entered at power on, or accessed from Select mode (see section 2).
Note: All Configuration mode and Setup mode parameters must be set as required before starting normal operations.
 Press **Setup** to scroll through the parameters.

Upper Display	Lower Display	Display Strategy and When Visible	Description
PV Value	Limit SP Value	d SP = EnRb (initial screen)	PV and Limit Setpoint values Read only
Limit SP Value	(Blank)	d SP = d SR (initial screen)	Limit Setpoint value Read only
High Limit Hold	H.Hd	Ctrl = Hi	Highest PV value since this parameter was last reset. To reset, press ▼ for 5 seconds, display = ---- when reset
Low Limit Hold	LoHd	Ctrl = Lo	Lowest PV value since this parameter was last reset. To reset, press ▼ for 5 seconds, display = ---- when reset
Exceed Time Value	t	Always available Format mm.ss to 99.59 then mmm.s (10 sec increments) Shows [HH] if ≥999.9	Accumulated time of Limit SP exceed conditions since this parameter was last reset. To reset, press ▼ for 5 seconds, display = ---- when reset
Active Alarm Status	ALSt	When one or more alarms are active. ALM indicator will also flash	Alarm 2 active Alarm 1 active Annunciator active

Exceed Condition

An Exceed Condition is when the Process Variable exceeds the Limit Setpoint value (i.e. PV > SP when set for high limit action, PV < SP for low limit action). The LED is on during this condition, and is extinguished once it has passed.

Limit Output Function

Limit Output relay(s) de-energise whenever an Exceed condition occurs, causing the process to shut down. The **Out** LED is on when the relay is de-energised. The relay remains latched off **even** if the Exceed condition is no longer present. Only giving a reset instruction (**after** the exceed condition has passed) will re-energise the relay, allowing the process to continue. The **Out** LED then turns off.

Limit Annunciator Outputs

An Annunciator output will activate when an Exceed condition occurs, and will remain active until a reset instruction is received, or the Exceed condition has passed. Unlike the Limit Output, an Annunciator can be reset even if the Exceed condition is present. When an Annunciator is active, the **ALM** LED will flash and the Alarm Status screen is available.

Resetting Limit Outputs & Annunciators

A reset instruction can be given by pressing the **Reset** key, via the Digital Input (if fitted) or via a Comms command if an RS485 Communications module is fitted. Annunciators will deactivate. Limit Outputs will only re-energise if the Exceed condition has passed.



CAUTION: Ensure that the cause of the Exceed condition has been rectified before resetting the Limit Output.

8. SERIAL COMMUNICATIONS

Refer to the full user guide (available from your supplier) for details.

9. SPECIFICATIONS

UNIVERSAL INPUT

Thermocouple Calibration: ±0.1% of full range, ±1LSD (±1°C for Thermocouple CJC).
 BS4937, NBS125 & IEC584.
 PT100 Calibration: ±0.1% of full range, ±1LSD.
 BS1904 & DIN43760 (0.00385Ω/Ω°C).
 DC Calibration: ±0.1% of full range, ±1LSD.
 Sampling Rate: 4 per second.
 Impedance: >10MΩ resistive, except DC mA (5Ω) and V (47kΩ).
 Sensor Break Detection: Thermocouple, RTD, 4 to 20 mA, 2 to 10V and 1 to 5V ranges only. *Limit outputs turn off (goes into Exceed condition), high alarms activate for thermocouple/RTD sensor break, low alarms activate for mA/V DC sensor break.*

Isolation: Isolated from all outputs (except SSR driver).
 Universal input must not be connected to operator accessible circuits if relay outputs are connected to a hazardous voltage source. Supplementary insulation or input grounding would then be required.

DIGITAL INPUT

Volt-free(or TTL): Open(2 to 24VDC) = No Reset.
 Closed(<0.8VDC) = Reset (edge triggered).
 Isolation: Reinforced safety isolation from inputs and other outputs.

OUTPUTS

Limit Relay

Contact Type & Rating: Latching limit control relay. Single pole double throw (SPDT); 5A resistive at 120/240VAC. Slot 1 position fixed for this function, optional function for Slot 2 & 3 relay modules.
 Lifetime: >100,000 operations at rated voltage/current.
 Isolation: Basic Isolation from universal input and SSR outputs.

Alarm Relays

Contact Type & Rating: Slot 2 or 3 position non-latching alarm relay. Single pole double throw (SPDT); 2A resistive at 120/240VAC.
 Lifetime: >500,000 operations at rated voltage/current.
 Isolation: Basic Isolation from universal input and SSR outputs.

SSR Driver

Drive Capability: SSR drive voltage >10V into 500Ω min.
 Isolation: Not isolated from universal input or other SSR driver outputs.

Triac

Operating Voltage: 20 to 280Vrms (47 to 63Hz).
 Current Rating: 0.01 to 1A (full cycle rms on-state @ 25°C); derates linearly above 40°C to 0.5A @ 80°C.
 Isolation: Reinforced safety isolation from inputs and other outputs.

DC

Resolution: 8 bits in 250mS (10 bits in 1s typical, >10 bits in >1s typical).
 Isolation: Reinforced safety isolation from inputs and other outputs.

Transmitter PSU

Power Rating: 20 to 28V DC (24V nominal) into 910Ω minimum resistance.
 Isolation: Reinforced safety isolation from inputs and other outputs.

SERIAL COMMUNICATIONS

Physical: RS485, at 1200, 2400, 4800, 9600 or 19200 bps.
 Protocols: Selectable between Modbus and ASCII.
 Isolation: Reinforced safety isolation from all inputs and outputs.

OPERATING CONDITIONS (FOR INDOOR USE)

Ambient Temperature: 0°C to 55°C (Operating), -20°C to 80°C (Storage).
 Relative Humidity: 20% to 95% non-condensing.
 Supply Voltage and Power: 100 to 240VAC ±10%, 50/60Hz, 7.5VA (for mains powered versions), or 20 to 48VAC 50/60Hz 7.5VA or 22 to 65VDC 5W (for low voltage versions).

ENVIRONMENTAL

Standards: CE, UL, ULC & FM 3545, 1998
 EMI: Complies with EN61326 (Susceptibility & Emissions).
 Safety: Complies with EN61010-1 & UL3121.
 Considerations: Pollution Degree 2, Installation Category II.
 Front Panel Sealing: To IP66 (IP20 behind the panel).

PHYSICAL

Front Bezel Size: 48 x 48mm
 Depth Behind Panel: 110mm.
 Weight: 0.21kg maximum.