

Segmented disc orifice 5010

DN 25 up to DN 300

continuous adjustable orifice for adjusting a defined flow precisely

- continuously adjustable when installed
- manual adjustment with protection
- defined characteristic curve
- with travel stops in the end positions
- space saving wafer type construction
- low weight
- quiet operation
- high Kvs-values



technical operation

Body design	flangeless, wafer-type construction for flanges acc. DIN EN 1092-1, form B (other versions on request)
Nominal size	DN 25 to DN 300
Nominal pressure	PN 16 acc. DIN 2401 (also for flanges PN 10)
Fluid temperature	carbon-steel body: -10°C to +220°C bronze body: -30°C to +170°C
Seals	NBR -30°C to +100°C
	EPDM -30°C to +140°C
	FKM -15°C to +180°C
	PTFE -30°C to +220°C

materials

body	carbon steel 1.0570
seals	NBR
adjustment screw	stainless steel 1.4571
compression spring	stainless steel 1.4310
moving valve disc	construction steel 1.0503
fixed valve plate	case hardening steel 1.7131
toothed segment	construction steel 1.0503
reducing part	construction steel 1.0503

Ordering Number System

1	2	3	4	5	6	7	8	9	10	11	12	13	14	15	16									
5	0	1	0	/					V							M					Z			S

Type Size

Symbol: "V": Valve

 "R": Repair kit (sealings)

1 - 5 : Please quote all 5 sections.
6 - 12: Quote only if required.

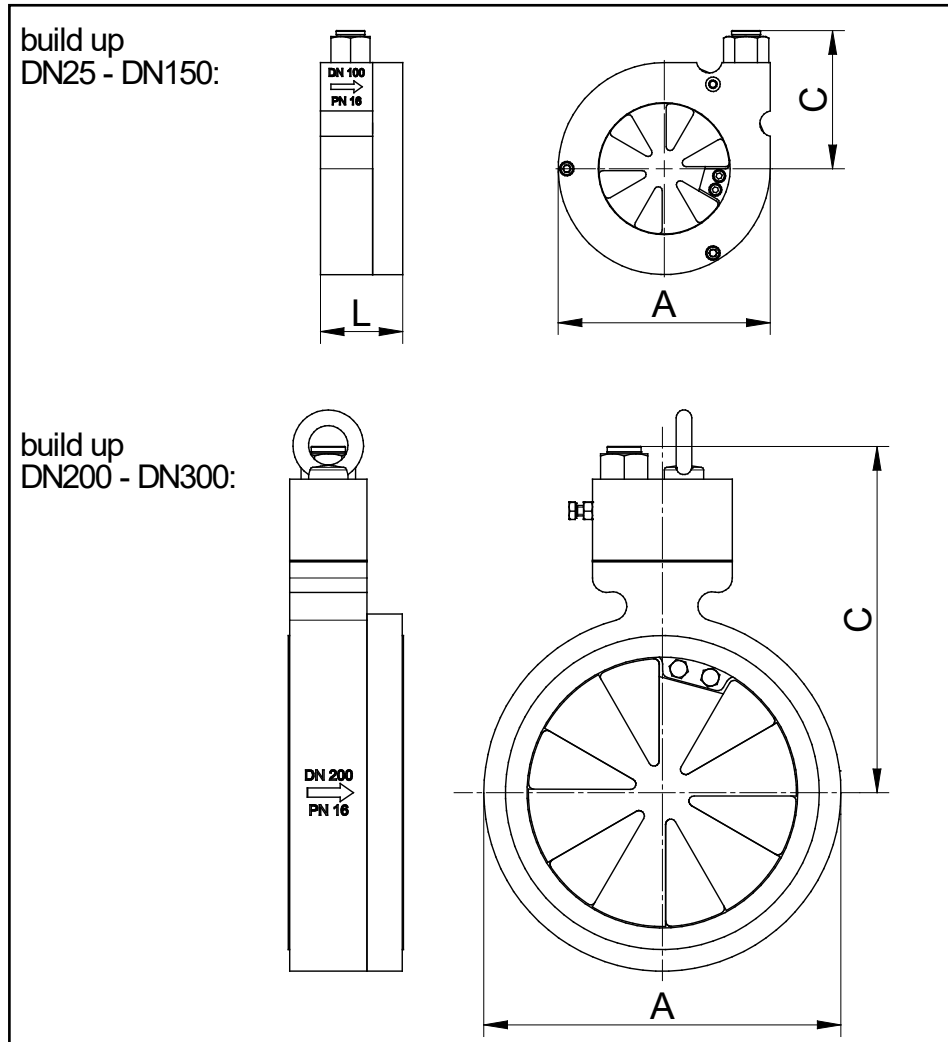
1. Design	2. Body material	3. -	4. Internal seals	5. Moving valve disc	7. Kvs-value / characteristics	8. Special versions	9. Accessories																								
<table border="1" style="width: 100%; border-collapse: collapse;"> <tr> <td style="width: 15px;">1</td> <td>SPB1-waver type construction PN16 (for flanges acc. DIN EN 1092-1. Form B)</td> </tr> </table>	1	SPB1-waver type construction PN16 (for flanges acc. DIN EN 1092-1. Form B)	<table border="1" style="width: 100%; border-collapse: collapse;"> <tr> <td style="width: 15px;">0</td> <td>carbon steel</td> </tr> <tr> <td style="width: 15px;">2</td> <td>bronze</td> </tr> </table>	0	carbon steel	2	bronze	<table border="1" style="width: 100%; border-collapse: collapse;"> <tr> <td style="width: 15px;">-</td> <td style="width: 15px;">-</td> </tr> </table>	-	-	<table border="1" style="width: 100%; border-collapse: collapse;"> <tr> <td style="width: 15px;">1</td> <td>Standard (NBR)</td> </tr> <tr> <td style="width: 15px;">2</td> <td>PTFE</td> </tr> </table>	1	Standard (NBR)	2	PTFE	<table border="1" style="width: 100%; border-collapse: collapse;"> <tr> <td style="width: 15px;">1</td> <td>Standard, 1.7131 hardened bronze</td> </tr> <tr> <td style="width: 15px;">2</td> <td></td> </tr> </table>	1	Standard, 1.7131 hardened bronze	2		<table border="1" style="width: 100%; border-collapse: collapse;"> <tr> <td style="width: 15px;">-</td> <td>linear 100% (Standard)</td> </tr> </table>	-	linear 100% (Standard)	<table border="1" style="width: 100%; border-collapse: collapse;"> <tr> <td style="width: 15px;">-</td> <td>without</td> </tr> </table>	-	without	<table border="1" style="width: 100%; border-collapse: collapse;"> <tr> <td style="width: 15px;">-</td> <td>without</td> </tr> <tr> <td style="width: 15px;">1</td> <td>with measuring connection G 1/8"</td> </tr> </table>	-	without	1	with measuring connection G 1/8"
1	SPB1-waver type construction PN16 (for flanges acc. DIN EN 1092-1. Form B)																														
0	carbon steel																														
2	bronze																														
-	-																														
1	Standard (NBR)																														
2	PTFE																														
1	Standard, 1.7131 hardened bronze																														
2																															
-	linear 100% (Standard)																														
-	without																														
-	without																														
1	with measuring connection G 1/8"																														

10. Material version	11. Special treatment	12. -	13. Special additional versions								
<table border="1" style="width: 100%; border-collapse: collapse;"> <tr> <td style="width: 15px;">-</td> <td>Standard</td> </tr> </table>	-	Standard	<table border="1" style="width: 100%; border-collapse: collapse;"> <tr> <td style="width: 15px;">-</td> <td>none</td> </tr> </table>	-	none	<table border="1" style="width: 100%; border-collapse: collapse;"> <tr> <td style="width: 15px;">-</td> <td style="width: 15px;">-</td> </tr> </table>	-	-	<table border="1" style="width: 100%; border-collapse: collapse;"> <tr> <td style="width: 15px;">-</td> <td>none</td> </tr> </table>	-	none
-	Standard										
-	none										
-	-										
-	none										

ordering example: 5010/050V1001

SP-orifice Typ 5010 DN 50, PN 10 - PN 16, body material carbon steel, seals inside of NBR, moving valve plate of 1.7131 hardened

installation dimensions



DN	A	C	L	Weight (kg)	KVS [m ³ /h]
25	85	67	35,5	1,5	6,8
32	100	74	36	2	15
40	110	80	36	2,4	24
50	107	80	43	2,7	38
65	127	76	46	4	52
80	142	85	62	6,4	87
100	162	106	63	8,3	138
125	192	121	69	13,3	275
150	218	114	75	17	410
200	273	264	88	30,4	600
250	329	295	112	55,2	1000
300	384	348	112	75,3	1440

dimensions in mm