

# Segmented disk valve 5050

manual operated

DN 25 up to DN 200 up to DN 800 on request



Manual control valve for the control of liquids and steam.

- suitable for contaminated fluids
- robust design
- tight in both directions
- Space saving wafer type construction
- Quiet operation
- High Kvs-values



## Technical data

Body design	flangeless, wafer-type construction for flanges acc. DIN EN 1092-1, form B	
Nominal size	DN 25 to DN 200	
Nominal pressure	DN 25 to DN 150	PN 25 acc. DIN 2401 (also for flanges PN 10 to PN 16)
	DN 200	PN 25 acc. DIN 2401
Fluid temperature	carbon steel body	-10°C to +220°C
	stainless steel body	-60°C to +220°C
Ambient temperature	-30°C up to +100°C	
Leakage % of Kvs	< 0,001	

## Materials

body	Stainless steel 1.4571
rack	Stainless steel 1.4112, treated
pressure spring	Stainless steel 1.4310
fixed valve plate	Stainless steel 1.4112, treated
moving valve disc	Stainless steel 1.4112, treated
slide ring	Stainless steel 1.4112, treated alternatively bronze
spring support	Stainless steel 1.4112, treated
wear ring	Stainless steel 1.4112, treated

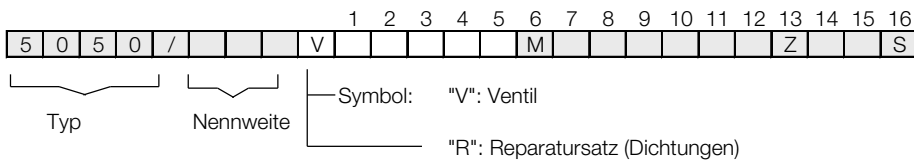
# Segmented disk valve 5050

## Admissible Differential Pressure (For temperatures of up to 120°C)

For temperatures of 120°C and above:  
obey application limits !

DN	max. admissible differential pressure [bar]
25	25
32	25
40	25
50	25
65	25
80	25
100	25
125	25
150	25
200	25

## Ordering Number System



1 - 5 : Bitte alle 5 Stellen angeben  
6 - 16: Nur angeben, falls nötig

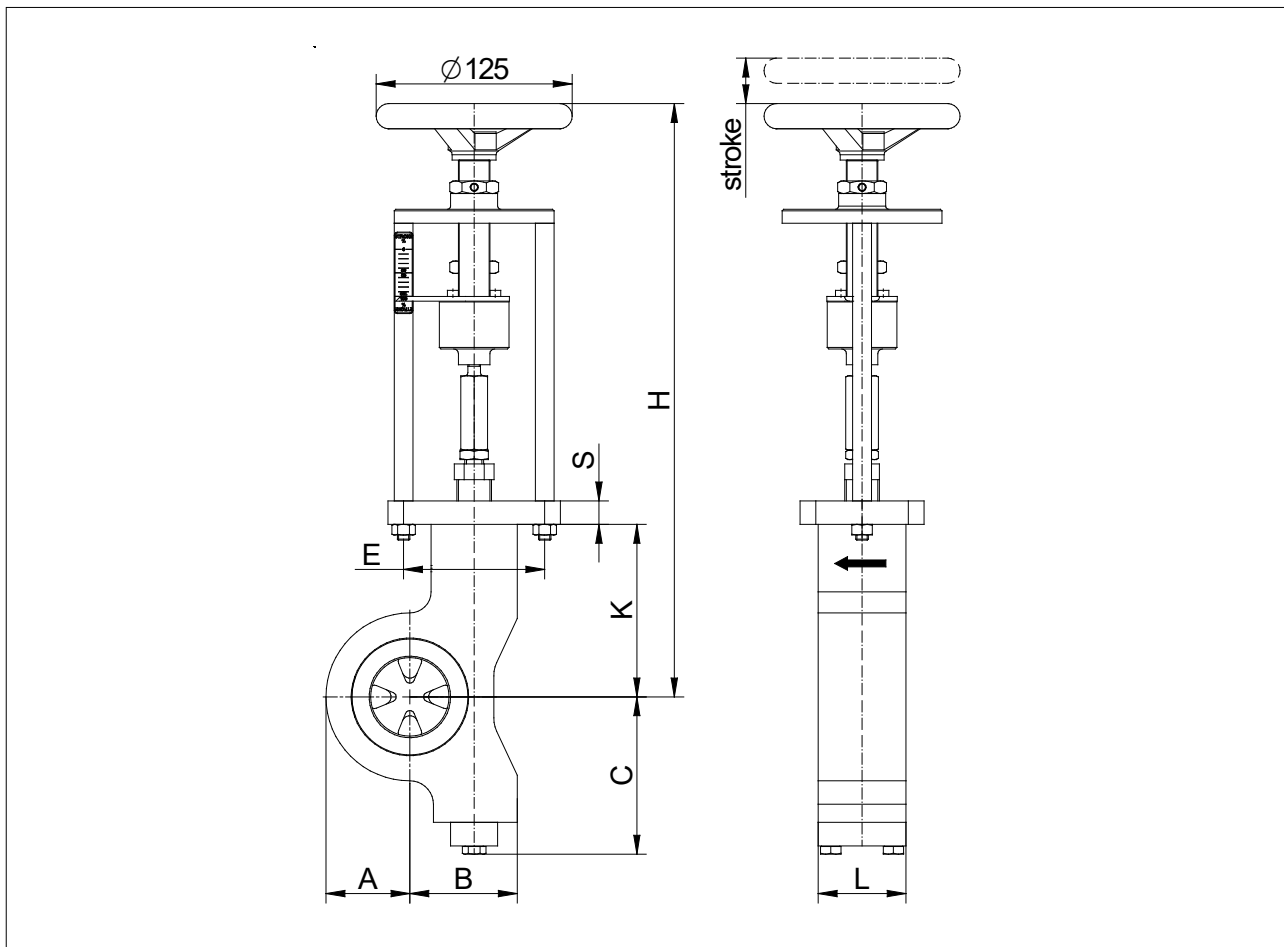
1. Design	2. Body material	3. -	4. Actuator	5 Special versions	7. -	8. Stem sealing	9. Interior sealings
1 SPV1-intermediate flange design PN25 (for DN250, PN16; for flanges acc. DIN EN 1092-1, form B)	0 C-steel 1.0570 1 stainless steel 1.4571 or 1.4112	- -	5 manually operated	M (Standard) non enclosed design K capsulated version	- -	- Standard (gland packing)	- Standard

10. Moving valve disc	11. Fixed valve plate	12. Kvs value / Characteristic	13. -	14. Accessories	15. Special versions	16. Accessories	16. Material versions
- Standard, stainless steel 1.4112, hardened	- Standard, stainless steel 1.4112, hardened	1 linear 100%	- -	- without	- without	- without	- Standard 1 all internal parts in stainless steel

ordering example: 5050/050V11-5

SP-manual valve Type 5050 DN 50, PN 10 - PN 40, stainless steel

## Installation dimensions

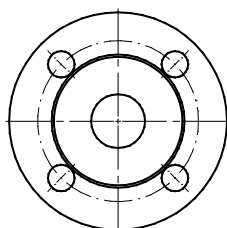


DN	A	B	C	K	L	S	H	E	Stroke	KVS [m <sup>3</sup> /h]
25	35	49	70	85	39	15	323	90	24	7
32	41	54	78	97	39	15	336	90	28	15
40	46	59	82	88	45	15	327	90	32	24
50	54	69	100	110	56	15	379	90	29	38
65	64	77	96	133	63	15	401	90	23	52
80	71	85	120	140	69	15	409	90	26	87
100	83	95	112	160	79	15	429	90	31	171

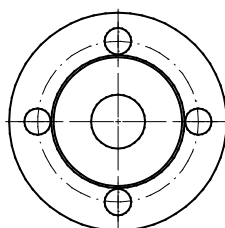
dimensions in mm

### Notice:

The flanges from DN25 to DN50 have to be rotated by 45°, if the valve is to be installed vertically or horizontally.



Standard



rotated 45°