

Angle Seat Control Valve 7020

with integrated positioner

1/4" up to 3"



Type 7020 with digital positioner Type 8049

Control valve with integrated digital positioner for the control of neutral through to aggressive media in process engineering, chemical industry and for plant equipment.



- Space saving design and low weight
- No steady- state air consumption
- Operation independent of mounting position and supply pressure variations
- Not sensitive to vibration
- Instrument grade air not essential
- Software configurable flow characteristics
- Protection Class IP65
- For temperatures from -148°F up to +428°F

Type 7020 with i/p-positioner Type 8047

Pneumatically operated control valves for neutral through highly aggressive media. Ideal for steam, gas and liquids.



- Integrated positioner
- Compact design
- All wetted parts made from stainless steel
- Temperatures up to 392°F
- Wide range of Cv's
- For temperatures from -148°F up to +428°F

Technical Information

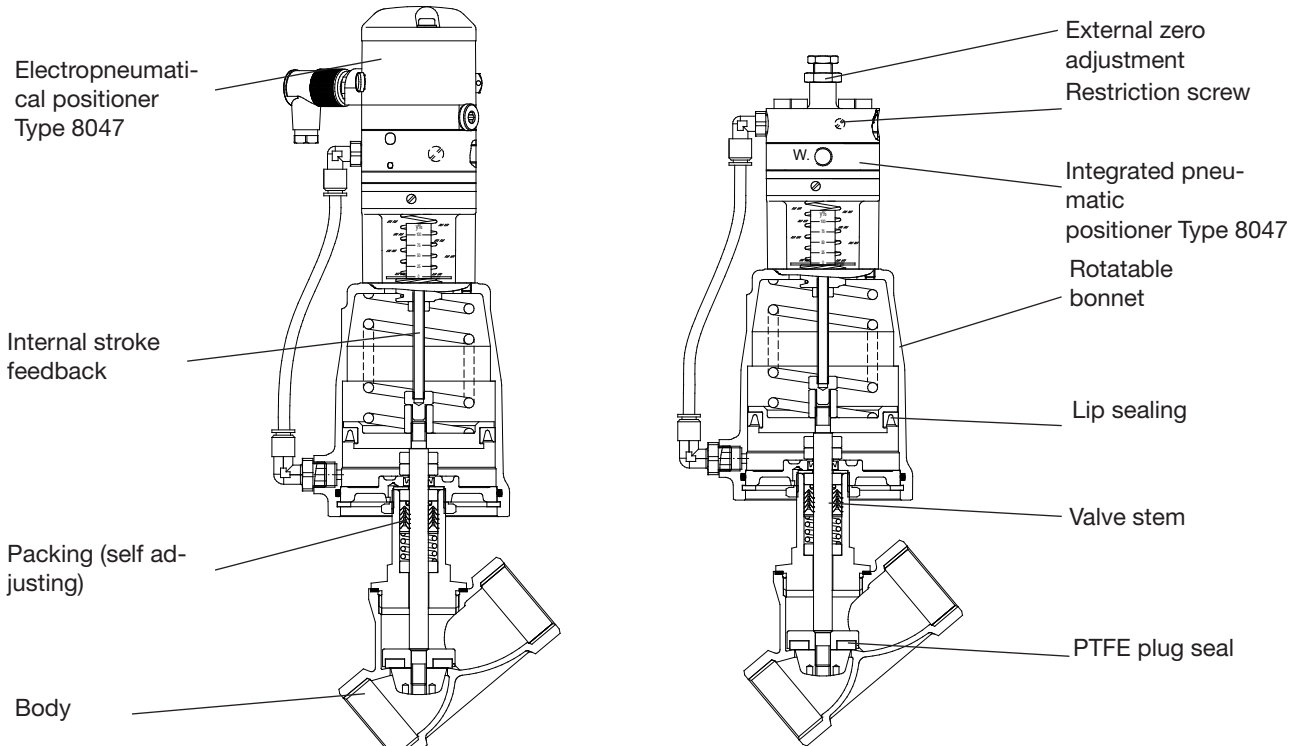
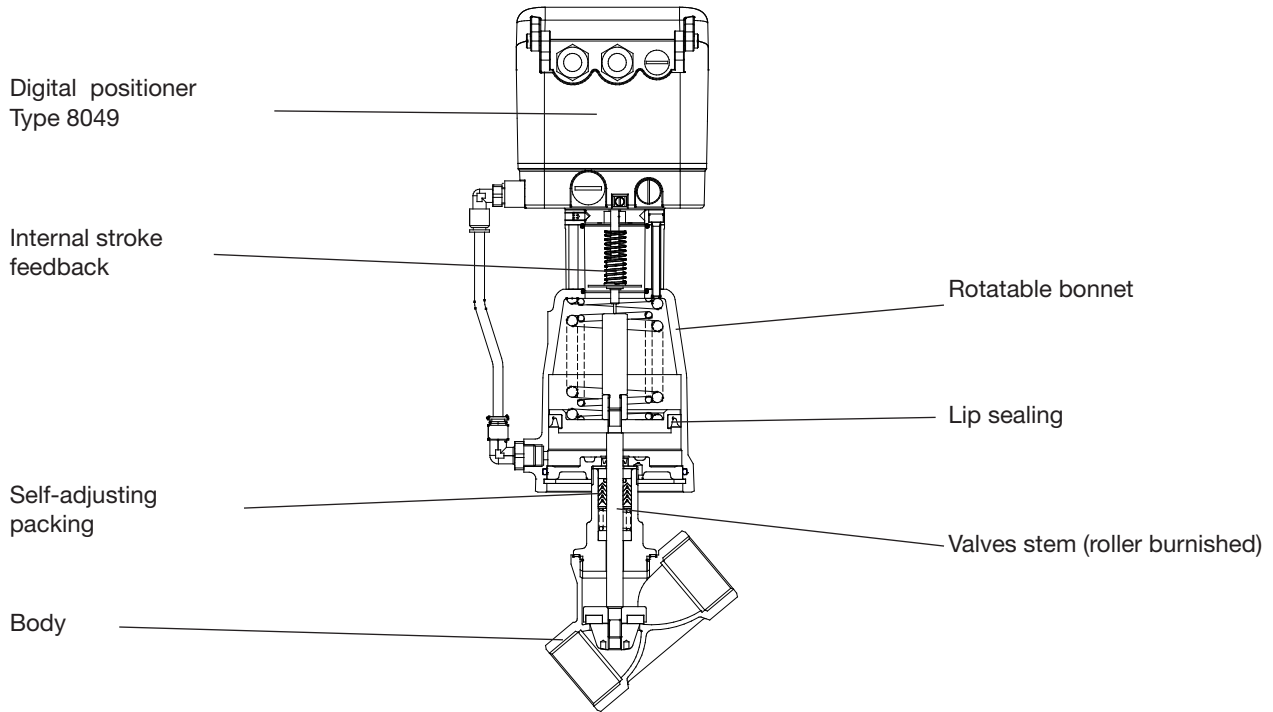
Body material	Stainless steel CF8M
Nominal sizes	1/4" up to 3"
Connections	
NPT thread	1/4" up to 3"
Tri Clamp	1/2" up to 3"
Tube ends	1/2" up to 3"
Socket weld	1/2" up to 3"
Nominal pressure	580 psi
Media temperature*	-22°F up to +392°F
with metal bonnet	-22°F up to +338°F, opt. -148°F up to +428°F
with plastic bonnet	-22°F up to +275°F
with diaphragm actuator	-22°F up to +392°F, opt. -22°F up to +428°F
Ambient temperature**	-5°F up to +176°F
*: Please consider further temperature versions and limits in technical bulletin 32	
**: Please consider the limitation of use of the positioner	

Options:

- Optical position indicator
- External I/P-converter Type 8045
- Ex -i/p- positioner (Ex II 2 G EEx ib IIC T6)

Angle Seat Control Valve 7020

with integrated positioner standard design



M Body	Stainless steel CF8M
Seating seal	PTFE
Bonnet	Brass chrome plated (actuator Ø 2", 3") Aluminium corrosion protected (actuator Ø 5")
Diaphragm actuator	Stainless steel ASTM A313 304
Actuator springs	Stainless steel ASTM A313 302 (actuator Ø 2", 3", diaph. act.)
Packing	Spring steel wire C, zinc coated (actuator Ø 5")
Packing	PTFE (carbon filled), spring ASTM A313 302
Valve stem	Stainless steel 316 Ti, roller burnished
Position indicator	PA Trogamid (clear)

Angle Seat Control Valve 7020



with integrated positioner standard design

Positioner

For technical information of our positioners please refer to the corresponding data sheets.

Admissible Pressures

digital positioner

Size	Pressure	Supply pressure range psi	Piston Ø inch	Spring configuration Number
	psi			
1/4"	250	60 - 90	3"	2 *
1/2"	250	60 - 90	3"	2
3/4"	250	60 - 90	3"	2
1"	250	60 - 90	3"	1
1"	250	45 - 90	5"	2
1"	250	45 - 90	10"	4
1 1/4"	145	60 - 90	3"	1
1 1/4"	250	45 - 90	5"	2
1 1/4"	250	45 - 90	10"	4
1 1/2"	87	60 - 90	3"	1
1 1/2"	250	60 - 90	5"	3
1 1/2"	250	45 - 90	10"	6

* special springs

i/p-positioner p/p-positioner

Size	Pressure	Supply pressure Range psi	Piston Ø inch	Spring configuration Number
	psi			
1/4"	250	60 - 90	3"	2 *
1/2"	250	60 - 90	3"	2
3/4"	250	60 - 90	3"	2
1"	174	60 - 90	3"	1
1"	160	40 - 90	10"	4
1 1/4"	102	60 - 90	3"	1
1 1/4"	189	45 - 90	5"	2
1 1/4"	250	40 - 90	10"	6
1 1/2"	58	60 - 90	3"	1
1 1/2"	160	60 - 90	5"	3
1 1/2"	218	50 - 90	10"	8

* special springs

diaphragm actuator direct pressure range

Size	Max. pressure (nc) (psi)		Max. pressure (no) (psi)		Supply air (psi)		Diaphragm area inch
	spring range 3 - 15 psi	6 - 29 psi	spring range 3 - 15 psi	6 - 29 psi	spring range 3 - 15 psi	6 - 29 psi	
1/2"	250	250	250	250	18	35	10"
3/4"	245	250	250	250	18	35	10"
1"	130	250	175	230	18	35	10"
1 1/4"	75	215	100	200	18	35	10"
1 1/2"	45	145	40	75	18	35	10"
2"	30	90	15	30	18	35	10"

Cv- Values

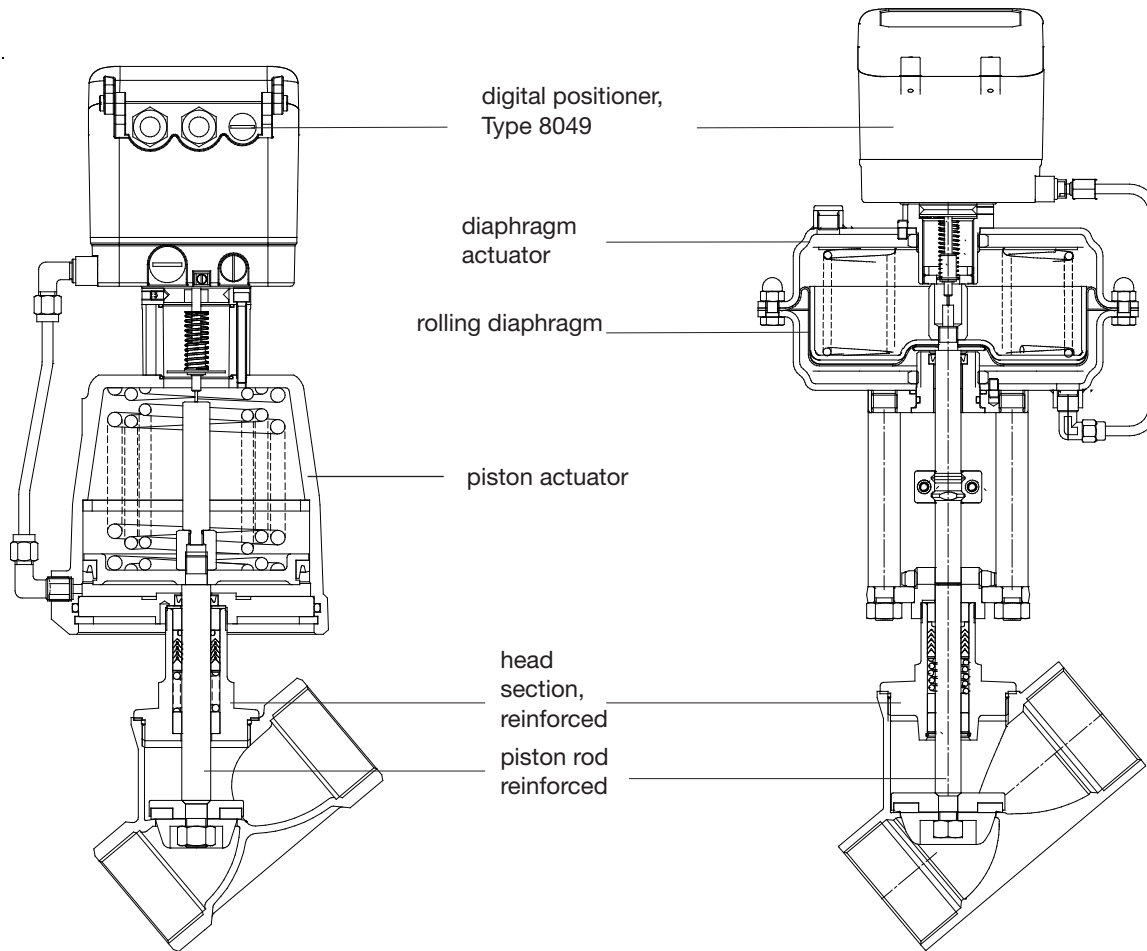
Size	linear						equal percentage					
	1/4"	1/2"	3/4"	1"	1 1/4"	1 1/2"	1/4"	1/2"	3/4"	1"	1 1/4"	1 1/2"
100%	0.7	4.4	10.2	16.2	23.2	31.3	0.7	3.5	7	11.6	18.6	29
40%	0.28	1.7	4.1	6.7	9.3	12.8	-	1.4	2.8	4.6	7	11.6
25%	0.17	1.1	2.6	4.2	-	-	-	0.93	1.7	3	-	-
15%	-	-	-	-	-	-	-	0.53	-	-	-	-
10%	-	0.46	-	-	-	-	-	-	-	-	-	-
7,5%	-	-	-	-	-	-	-	0.27	-	-	-	-

Angle Seat Control Valve 7020



with integrated positioner reinforced design

2" up to 3", 580 psi



Admissible Pressures

digital positioner

Size	Max. pressure (psi)		Supply pressure range	Piston Ø	Spring configuration
	PTFE	PEEK			
2"	45	-	60 - 90	3"	1
2"	160	45	60 - 90	5"	3
2"	175	75	45 - 90	10"	6 *
2"	250	145	60 - 90	10"	8
2"	250	250	60 - 90	10"	12 *
2 1/2"	75	-	60 - 90	5"	3
2 1/2"	190	115	60 - 90	10"	12
3"	45	-	60 - 90	5"	3
3"	130	75	60 - 90	10"	12

i/p-positioner p/p-positioner

Size	Differential pressure (psi)	Supply pressure range	Piston Ø	Springs
2"	25	60 - 90	3"	1
2"	85	60 - 90	5"	3
2"	185	60 - 90	10"	10*
2"	245	60 - 90	10"	12
2 1/2"	130	60 - 90	10"	12
3"	90	60 - 90	10"	12

* standard spring configuration

Cv- Values

Size	linear			equal percentage		
	2"	2 1/2"	3"	2"	2 1/2"	3"
100%	49.9	60.3	80	39.4	51	68.4
63%	30.2	37.1	-	26.7	33.6	-

Angle Seat Control Valve 7020

with integrated positioner pressure balanced design

DN50 up to DN80, PN40

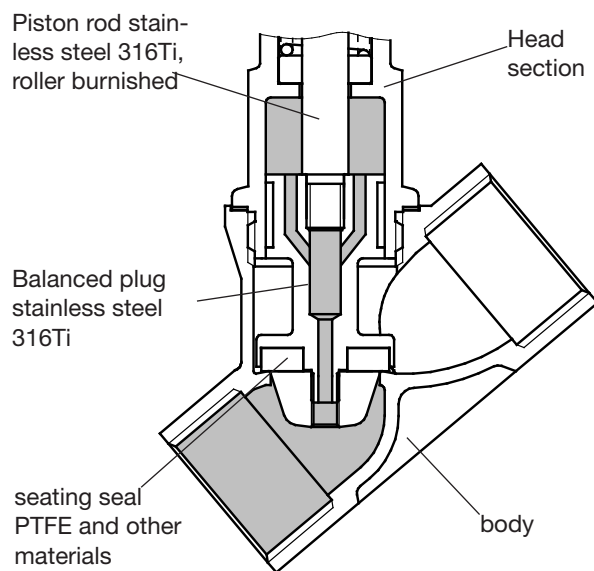
Admissible Differential Pressures

digital positioner

Size	Pressure (PTFE)	Supply pressure range	Piston Ø	Spring configuration
	psi	psi	inch	Number
2"	250	60 - 90	5"	3
2 1/2"	250	60 - 90	5"	3
3"	250	60 - 90	5"	3

p/p- and i/p-positioner

Size	Differential pressure (PTFE)	Supply pressure range	Piston Ø	Springs
	psi	psi	inch	number
2"	250	60 - 90	5"	3
2 1/2"	250	60 - 90	5"	3
3"	250	60 - 90	5"	3

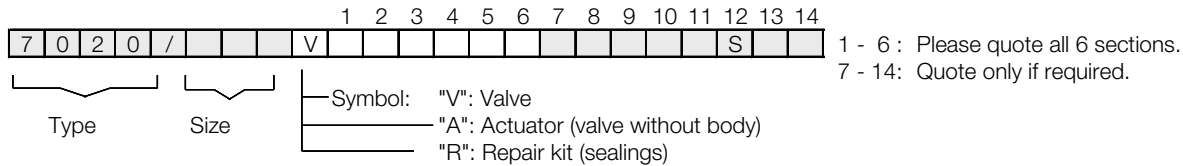


Angle Seat Control Valve 7020



with integrated positioner

Ordering Number System



1.	Body type	2.	Connection	3.	Body materials	4.	Seat material	5.	Positioner	6.	Actuator	7.	Springs
1	angle body control valve Type 7020	0 2 5 Z *	pipe thread acc. ISO 228-1 Socket welding NPT thread Tri clamp others upon request	2	stainless steel CF8M	0	PTFE (Teflon)	6 7 8 9 C R T W	p/p positioner, Type 8047 i/p positioner, Type 8047 i/p positioner with plug connection M12x1, Type 8047 i/p positioner, ex proof (II 2 G EEx ib IIC T6) plug connc.M12x1, Type 8047 digital positioner, Type 8049, 4 wire digital positioner Type 8049, 2 wire digital positioner Type 8049, AS-i version digital positioner Type 8049, 2 wire, ex-version	8 9 D	piston 3" (NPT) piston 5" (NPT) diaphragm D 10" (NPT)	- 1 P T W Y	without significance spring to open (only with digital positioner) spring set 3-15 psi (D 10") 6 springs (D 10") 8 springs (D 10") 12 springs (D 10")
8.	Characteristic	9.	Packing	10.	Cv-value	11.	Accessories	12.	Special versions	13.	Seal	14.	Position
- 1	linear equal percentage	- 2	standard packing underneath (vacuum)	- 1 2 3 4 5 6	full Cv-value red. to 40% red. to 25% red. to 15% red. to 7,5% red. to 22,5% red. to 10%	-	without	S	to state if some stations are quoted!	-	standard	0	indicator with position indicator (dig. positioner standard)

Ordering Example: 7020/020V152067-1---S-0
 Angle Seat Control Valve, nominal size 3/4", NPT-thread, stainless steel, PTFE seat material, N.C., with pneumatic positioner, piston Ø 2" with NPT connection, equal percentage characteristic 100 %, with position indicator

reinforced design (from 2"):

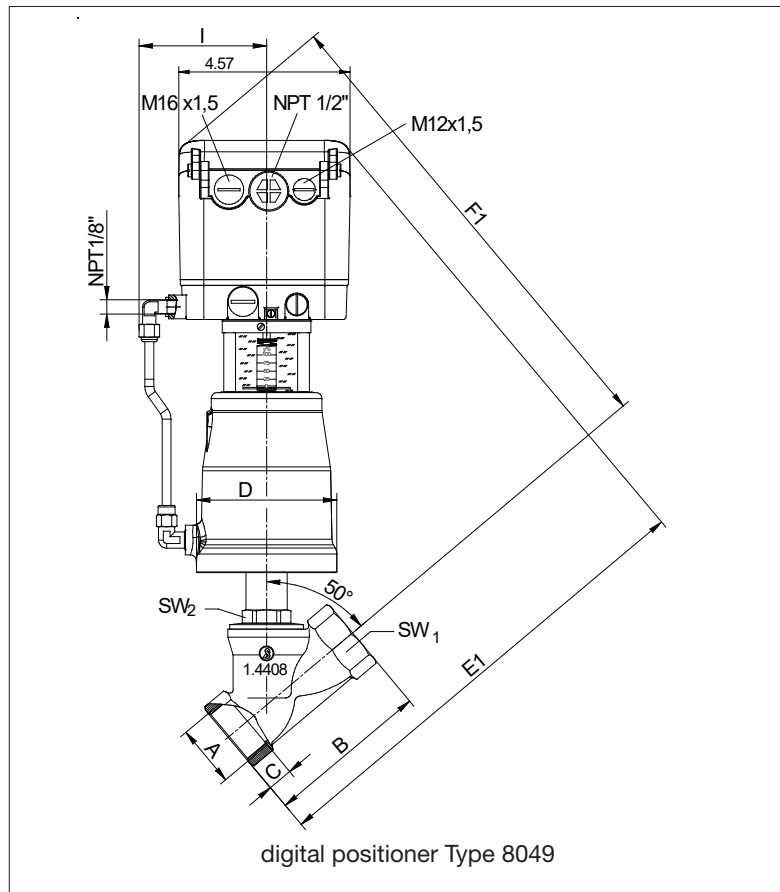
Ordering Example: 7020/050V1520CD-----S-----K
 Angle Seat Control Valve, nominal size 2", NPT thread, stainless steel, PTFE seat material, N.C., digital positioner Typ 8049, 4-wire, with position indicator, piston Ø 10" with NPT connection, linear characteristic, Cv-value = 49,9, reinforced design

„K“ reinforced design

Angle Seat Control Valve 7020

with integrated positioner piston actuator

Dimensions and Weights



Size	Actuator	A G/NPT	B	C	D	E	F	I	SW1	SW2	Weight (lbs)
3/8"	3"	3/8"	2.36	0.47	3.78	11.3	11.97	3.15	0.79	1.18	9.2
1/2"	3"	1/2"	2.56	0.47	3.78	12.17	11.85	3.15	0.98	1.18	9.7
3/4"	3"	3/4"	2.95	0.51	3.78	12.36	12.05	3.15	1.22	1.18	9.9
1"	3"	1"	3.54	0.59	3.78	12.76	12.24	3.15	1.54	1.18	10.3
1 1/4"	3"	1 1/4"	4.33	0.67	3.78	13.35	12.83	3.15	1.89	1.18	11
1 1/4"	5"	1 1/4"	4.33	0.67	5.75	14.53	14.02	4.13	1.89	1.18	16.7
1 1/2"	3"	1 1/2"	4.72	0.75	3.78	13.54	13.03	3.15	2.17	1.18	11.7
1 1/2"	5"	1 1/2"	4.72	0.75	5.75	14.72	14.21	4.13	2.17	1.18	17.4

reinforced design:

2"	3"	2"	5.91	1.01	3.78	13.78	13.78	3.15	2.68	1.26	13
2"	5"	2"	5.91	1.01	5.75	14.37	14.37	4.13	2.68	1.26	18.7
2 1/2"	5"	2 1/2"	7.09	1.18	5.75	15.16	14.96	4.13	3.35	1.42	19.6
3"	5"	3"	8.43	1.32	5.75	17.13	14.96	4.13	3.94	1.61	25.1

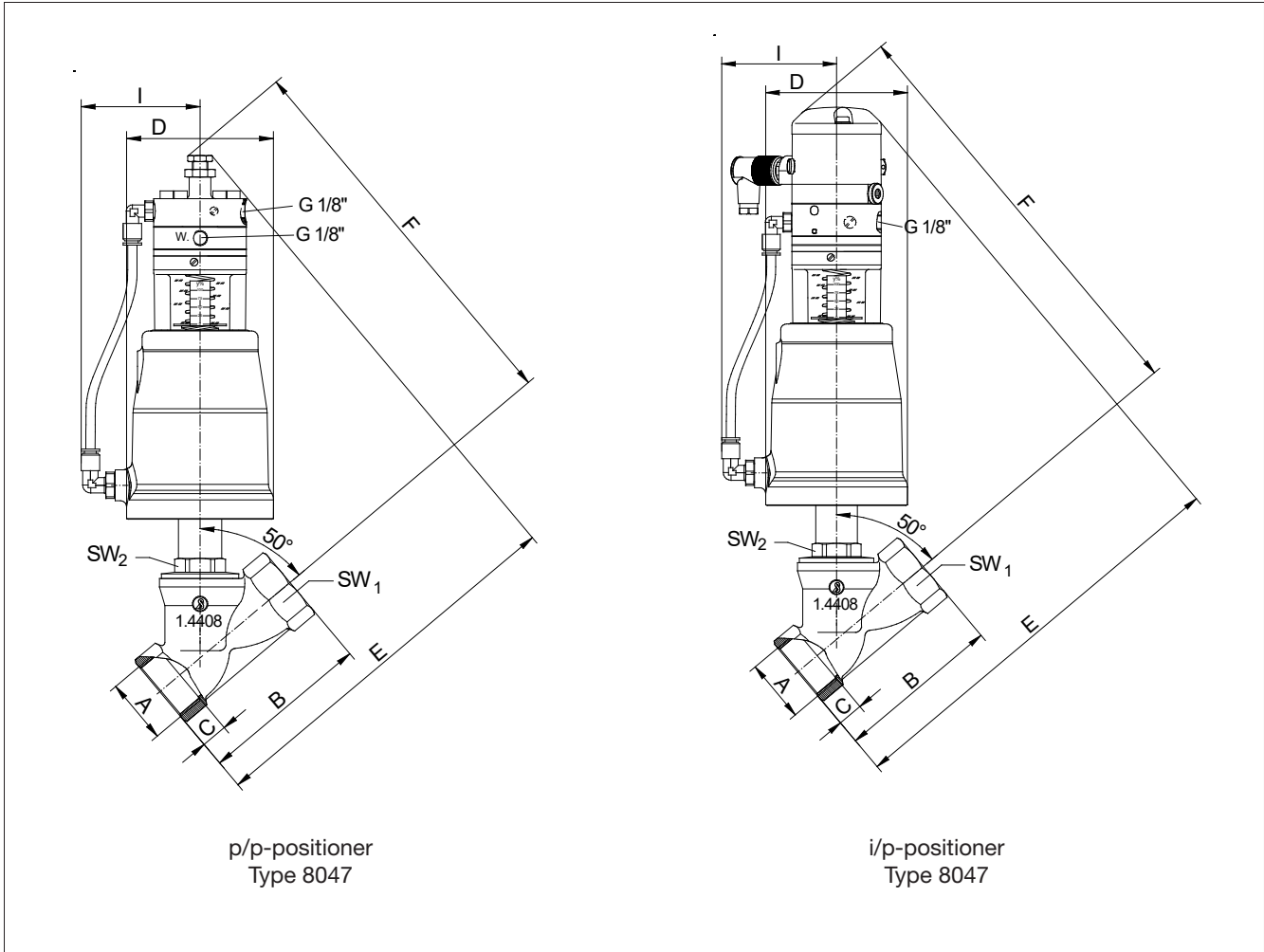
Dimensions in inch

Angle Seat Control Valve 7020



with integrated positioner piston actuator

Dimensions and Weights



p/p-positioner
Type 8047

i/p-positioner
Type 8047

Size	Actuator	A G/NPT	B	C	D	E		F		I	SW1	SW2	Weight (lbs)	
						Positioner		Positioner					p/p	i/p
						p/p	i/p	p/p	i/p					
1/4"	3"	1/4"	2.36	0.47	3.78	8.66	9.84	9.06	10.24	3.15	0.79	1.18	8	9
1/2"	3"	1/2"	2.56	0.59	3.78	8.66	9.84	9.06	10.24	3.15	0.98	1.18	8	9
3/4"	3"	3/4"	2.95	0.64	3.78	8.86	10.04	9.25	10.43	3.15	1.22	1.18	8.5	9
1"	3"	1"	3.54	0.75	3.78	9.25	10.43	9.45	10.63	3.15	1.54	1.18	9	9.5
1 1/4"	3"	1 1/4"	4.33	0.84	3.78	9.84	11.02	10.04	11.22	3.15	1.89	1.18	9.5	10
1 1/4"	5"	1 1/4"	4.33	0.84	5.75	10.43	11.61	10.83	12.01	4.13	1.89	1.18	15	16
1 1/2"	3"	1 1/2"	4.72	0.84	3.78	10.04	11.22	10.24	11.42	3.15	2.17	1.18	10	11
1 1/2"	5"	1 1/2"	4.72	0.84	5.75	10.63	11.81	11.02	12.2	4.13	2.17	1.18	16	16.5

reinforced design:

2"	3"	2"	5.91	0.83	3.78	10.83	12.01	10.63	11.81	3.15	2.68	1.26	11.5	12
2"	5"	2"	5.91	1.01	5.75	11.22	12.4	11.22	12.4	4.13	2.68	1.26	17	18

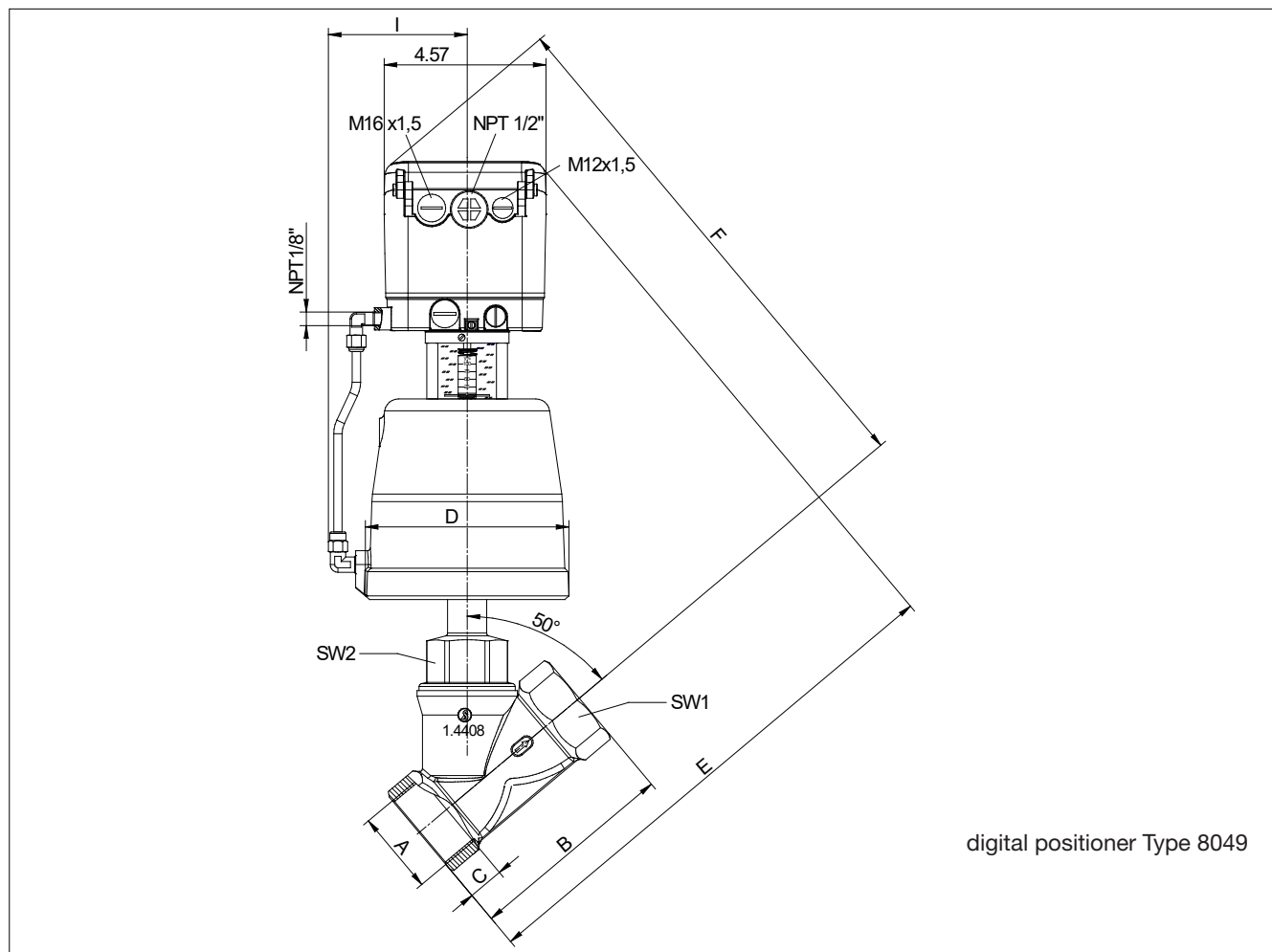
Dimensions in inch

Angle Seat Control Valve 7020



with integrated positioner pressure balanced design

Dimensions and Weights



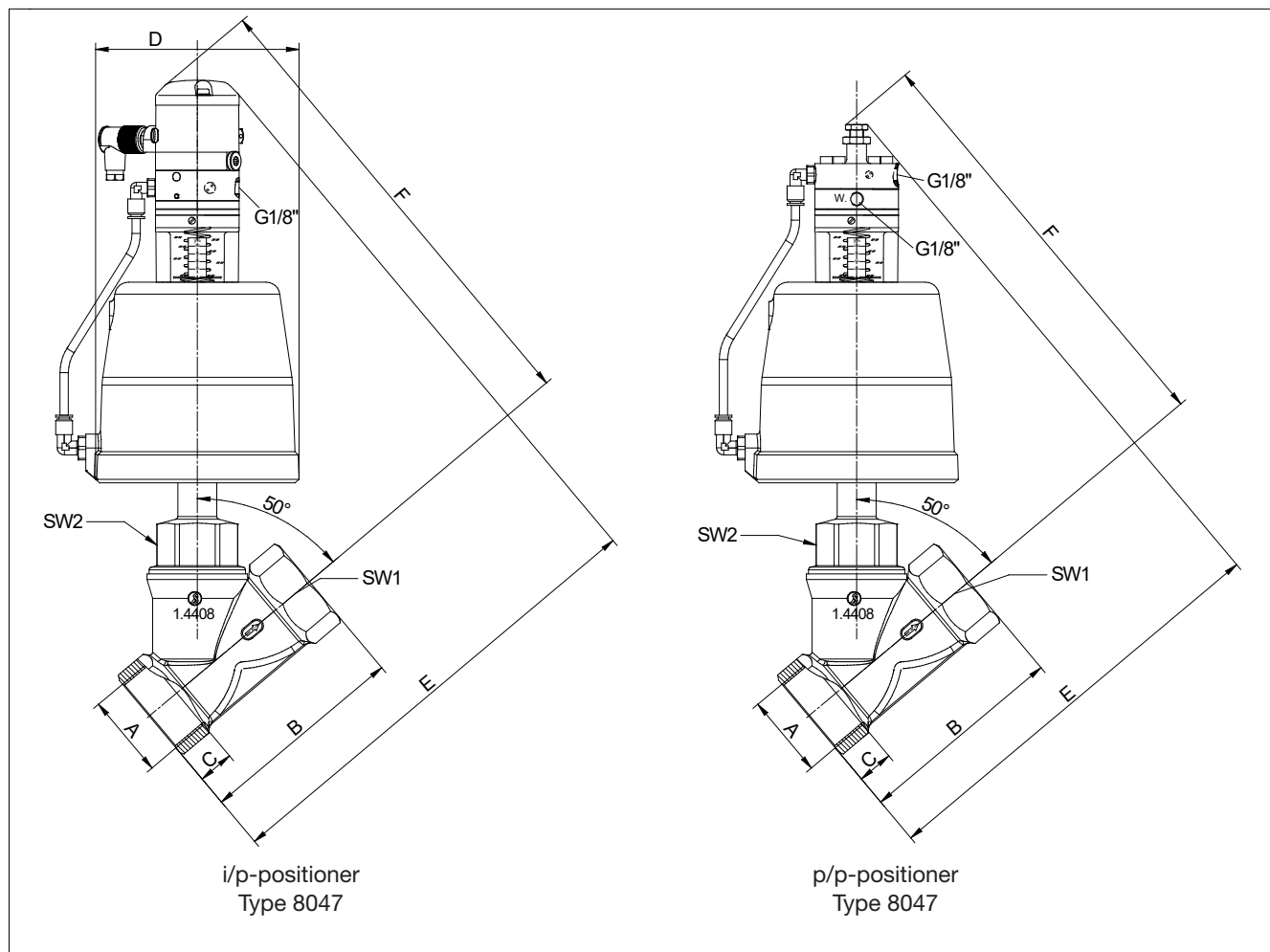
Size	Actuator	A	B	C	D	E	F	I	SW1	SW2	Weight (lbs)
		G/NPT									
2"	5"	2"	5.91	1.01	5.75	14.76	15	4.13	2.68	2.05	14.5
2 1/2"	5"	2 1/2"	7.09	1.19	5.75	15.75	15.75	4.13	3.35	1.42	19.4
3"	5"	3"	8.43	1.31	5.75	18.31	17.13	4.13	3.94	1.81	28.2

Angle Seat Control Valve 7020



with integrated positioner pressure balanced design

Dimensions and Weights

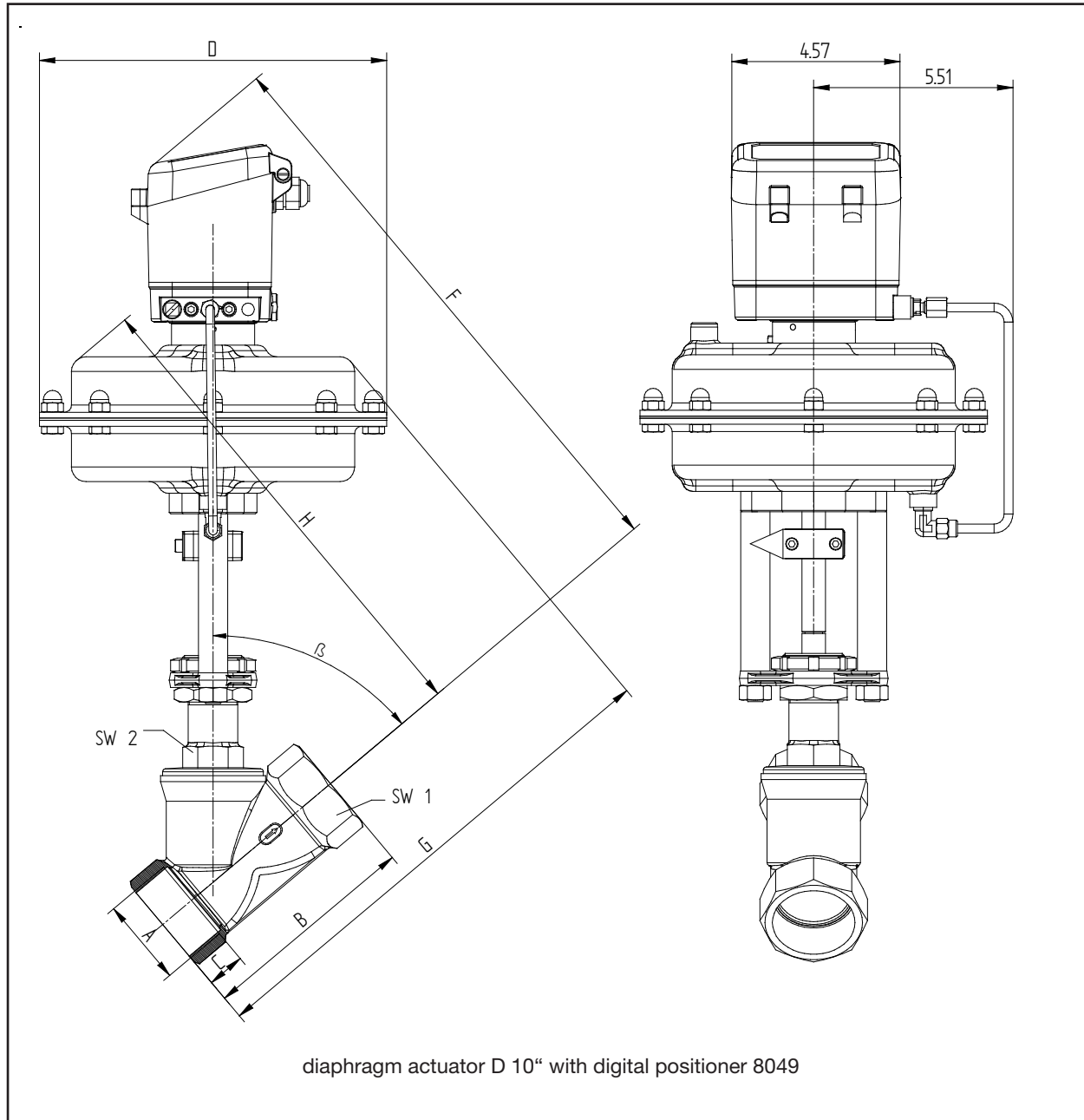


Size	Actuator	A G/NPT	B	C	D	E		F		I	SW1	SW2	Weight (lbs)	
						Positioner		Positioner					p/p	i/p
						p/p	i/p	p/p	i/p					
2"	5"	2"	5.91	1.01	5.75	12.01	13.23	12.13	13.39	4.13	2.68	2.05	13	13.5
2 1/2"	5"	2 1/2"	7.09	1.19	5.75	12.87	14.06	12.68	13.94	4.13	3.35	1.42	18	18.5
3"	5"	3"	8.43	1.31	5.75	15.87	17.13	13.66	14.88	4.13	3.94	1.81	26.5	27.5

Angle Seat Control Valve 7020

with integrated positioner diaphragm actuator

Dimensions and Weights



Size	A	B	C	D	E	F	G	H	SW1	SW2	Angle β	Weight lbs
1/2"	G 1/2"	2.56	0.59	9.37	13.39	13.78	11.22	11.02	0.98	1.18	50°	34.5
3/4"	G 3/4"	2.95	0.64	9.37	13.78	14.17	11.61	11.42	1.22	1.18	50°	34.5
1"	G 1"	3.54	0.75	9.37	14.17	14.57	12.01	11.81	1.54	1.18	50°	35
1 1/4"	G 1 1/4"	4.33	0.84	9.37	14.57	15.16	12.4	12.2	1.89	1.18	50°	35
1 1/2"	G 1/2"	4.72	0.84	9.37	14.96	15.55	12.8	12.6	2.17	1.18	50°	35.5
2"	G 2"	5.91	1.01	9.37	16.14	16.14	13.78	13.19	2.68	1.42	50°	36.5
2 1/2"	G 2 1/2"	7.09	1.19	9.37	16.73	16.54	14.57	13.78	3.35	1.42	50°	37
3"	G 3"	8.43	1.32	9.37	18.7	16.14	16.14	13.98	3.94	1.61	45°	42.5

Dimensions in inch