

Straight Bodied Flanged Valve 7032

1/2" up to 3"

Pneumatically operated flanged valves for the control of neutral, lightly and highly aggressive fluids.

- Compact design
- Unaffected by lightly contaminated media
- For temperatures from -148°F up to +428°F
- Working pressures up to 580 psi
- Versatile actuator

Technical Information

Nominal sizes	1/2" up to 3"
Body material	CF8M
Connection	Flanges acc. ANSI B16.5-Class 150 (DN15-DN50) Flanges acc. DIN EN 1092-1 (DN15-DN80)
Dimensions	acc. ANSI/ISA-75.08.01 (DN15-DN50) acc. DIN EN 558-1 Row 1 (DN15-DN80)
Nominal pressure	ANSI #150 or 580 psi
Media temperature:*	
with metal bonnet	-22°F up to +338°F, opt. -148°F up to +428°F
with plastic bonnet	-22°F up to +275°F
diaphragm act. stainless steel	-22°F bis +392°F, opt. -22°F bis +428°F
Ambient temperature	-22°F up to +140°F
Viscosity of media	maximum 600cSt, 80°E (600 mm ² /s)
Vakuum	maximum 0,001 bar abs
Working pressure	See tables and diagrams, limitation for dangerous gases acc. Pressure equipment directive 2014/68/EU (category I): PS (psi) x DN (inch) / 1.75 < 1000
Working pressure for packing underneath	maximum 175 psi
Leakage acc. EN 12266-1	leakage class A
Packing leakage	tested according to TA-Luft as defined in DIN EN ISO 15848-1 and VDI 2440

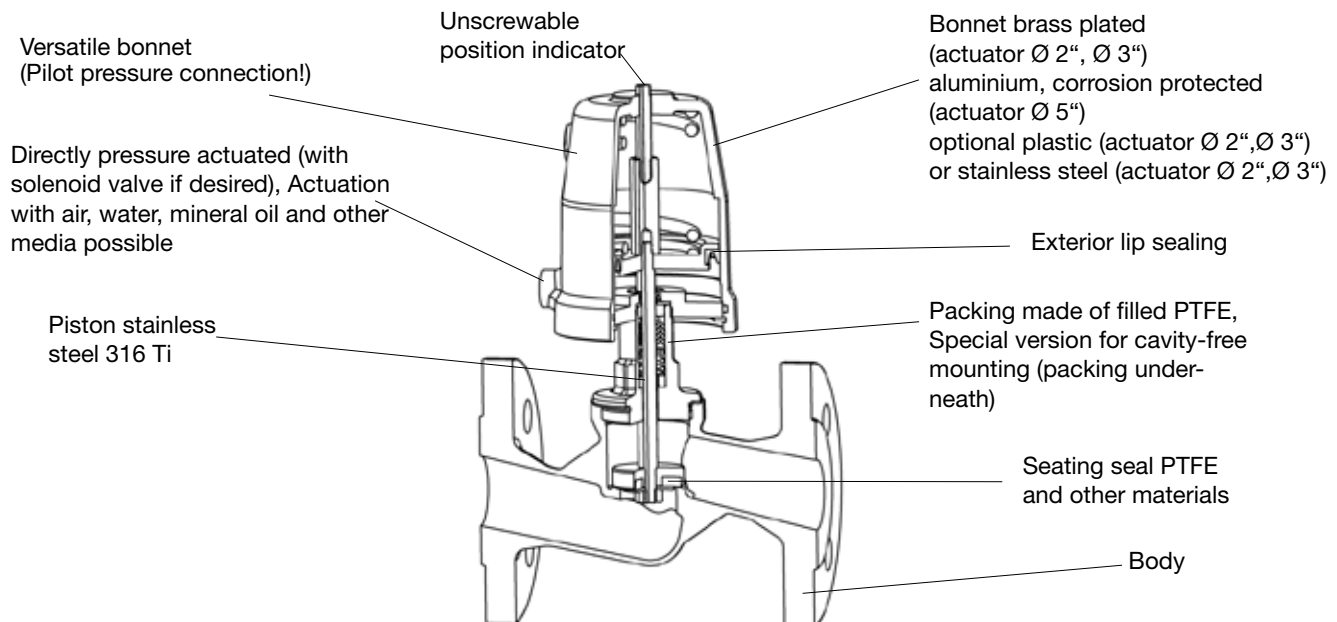
*: Please consider further temperature versions and limits in technical bulletin 32



Options

e.g.:

- Limit switches
 - inductive proximity switch
 - electrical contact switch
 - pneumatical switch
- Solenoid valve
- AS-I control head
- Additional manual operation
- Oil and grease free version



Straight Bodied Flanged Valve 7032

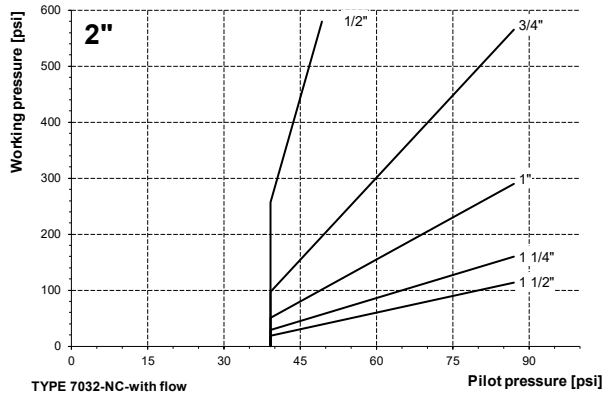


standard design

Spring closes NC (closing with flow)

Flanged valves, closing with flow, NO, preferred usage with gaseous media, with liquids closure strokes may occur.

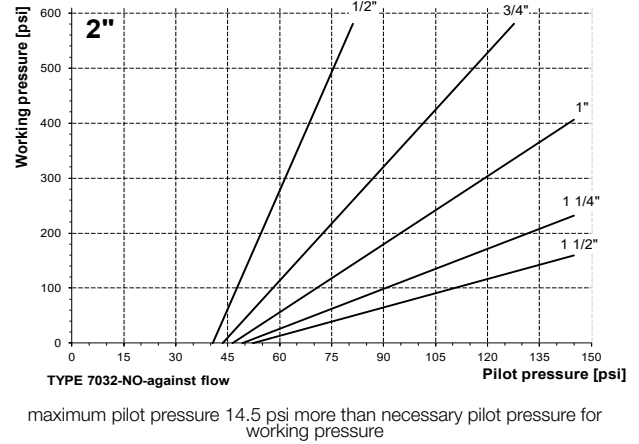
Actuator diameter 2"



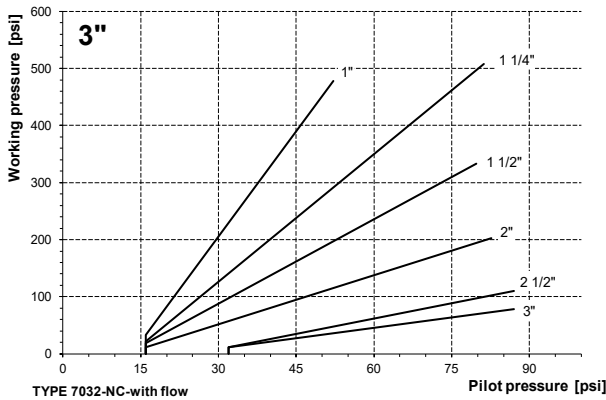
Spring opens NO (closing against flow)

Normally open flanged valves, closing against the flow.

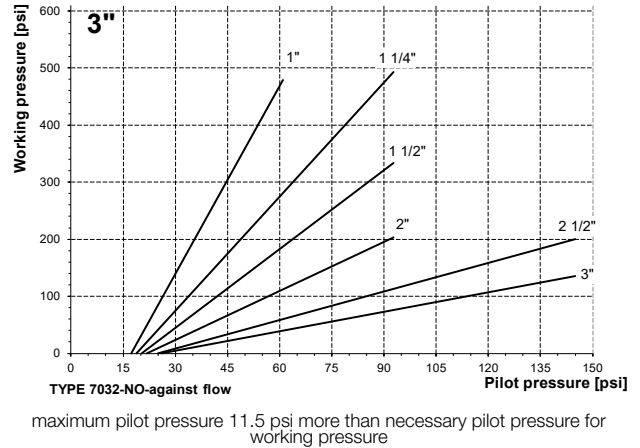
Actuator diameter 2"



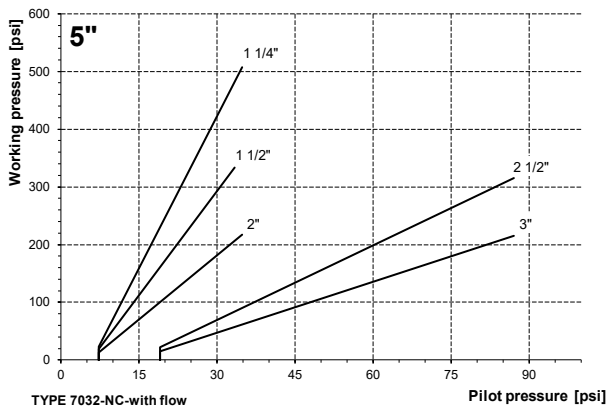
Actuator diameter 3"



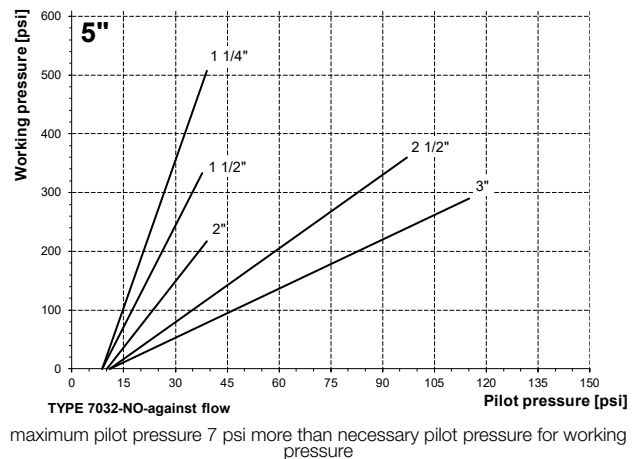
Actuator diameter 3"



Actuator diameter 5"



Actuator diameter 5"

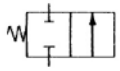


Straight Bodied Flanged Valve 7032



standard design

NC (closing against flow)



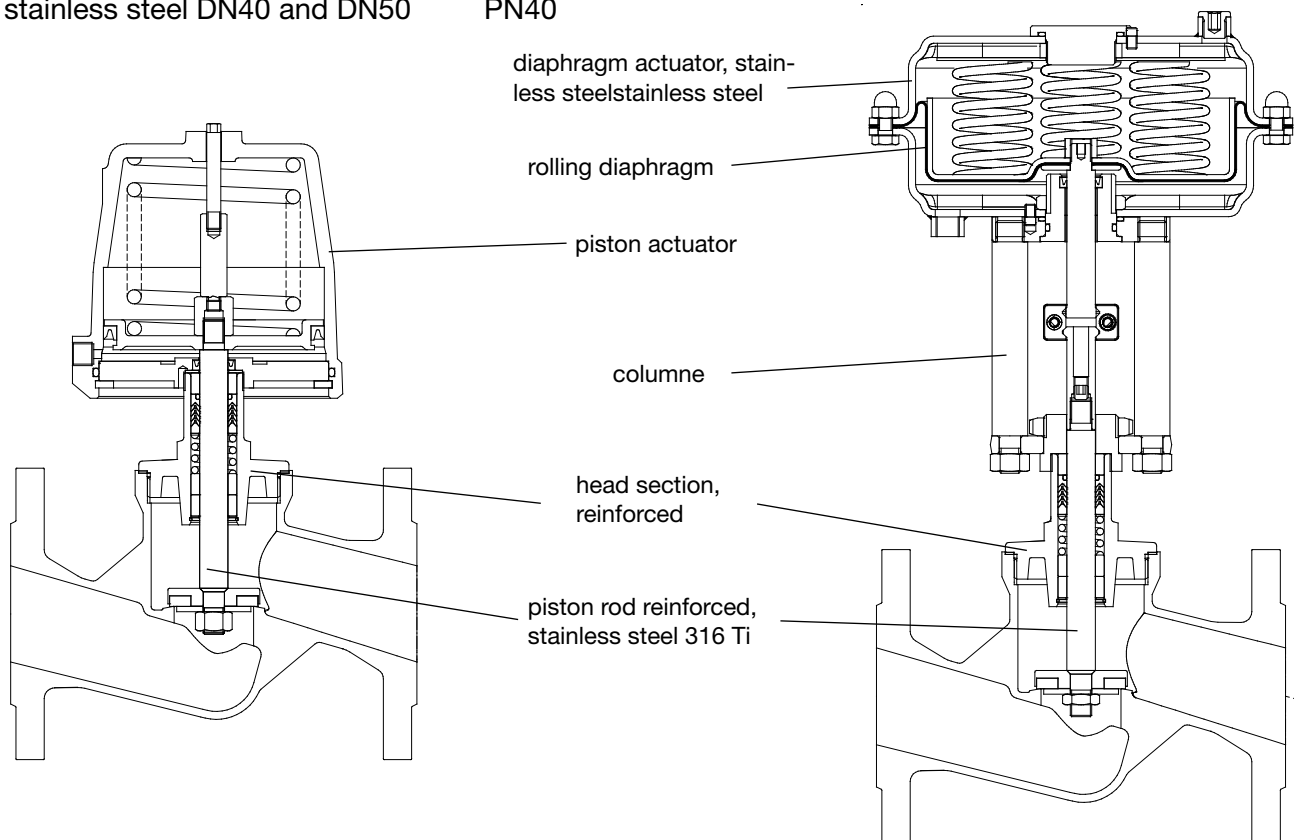
flanged valve, normally closed - closing against the flow, fur use with liquid and gaseous media

Nominal size	Working pressure max. (differential pressure)	Pilot pressure		Piston Ø inch	Springs
	psi	psi	psi		
1/2"	220	50	- 145	2"	1
1/2"	390	65	- 145	2"	2
3/4"	75	50	- 145	2"	1
3/4"	145	65	- 145	2"	2
3/4"	230	85	- 145	2"	3
1"	35	50	- 145	2"	1
1"	80	65	- 145	2"	2
1"	130	85	- 145	2"	3
1"	290	50	- 145	3"	1
1 1/4"	45	65	- 145	2"	2
1 1/4"	75	85	- 145	2"	3
1 1/4"	160	50	- 145	3"	1
1 1/4"	230	65	- 145	3"	2
1 1/4"	305	80	- 145	3"	3
1 1/4"	145	20	- 145	5"	1
1 1/4"	320	30	- 145	5"	2
1 1/2"	30	65	- 145	2"	2
1 1/2"	50	85	- 145	2"	3
1 1/2"	100	50	- 145	3"	1
1 1/2"	140	65	- 145	3"	2
1 1/2"	175	80	- 145	3"	3
1 1/2"	90	20	- 145	5"	1
1 1/2"	205	30	- 145	5"	2
1 1/2"	290	45	- 145	5"	3

Nominal size	Working pressure max. (differential pressure)	Pilot pressure		Piston Ø inch	Springs
	psi	psi	psi		
2"	60	50	- 145	3"	1
2"	85	65	- 145	3"	2
2"	110	80	- 145	3"	3
2"	125	30	- 145	5"	2
2"	175	45	- 145	5"	3
2 1/2"	45	65	- 10	3"	2
2 1/2"	60	85	- 10	3"	3
2 1/2"	70	35	- 10	5"	2
2 1/2"	100	45	- 10	5"	3
2 1/2"	160	39	- 10	10"	8
2 1/2"	240	55	- 10	10"	12
3"	30	65	- 10	3"	2
3"	40	85	- 10	3"	3
3"	45	35	- 10	5"	2
3"	70	45	- 10	5"	3
3"	110	39	- 10	10"	8
3"	150	55	- 10	10"	12

Standard (2 or 8 springs)

Flanged Valve 7032, reinforced design stainless steel DN40 and DN50 PN40



Straight Bodied Flanged Valve 7032

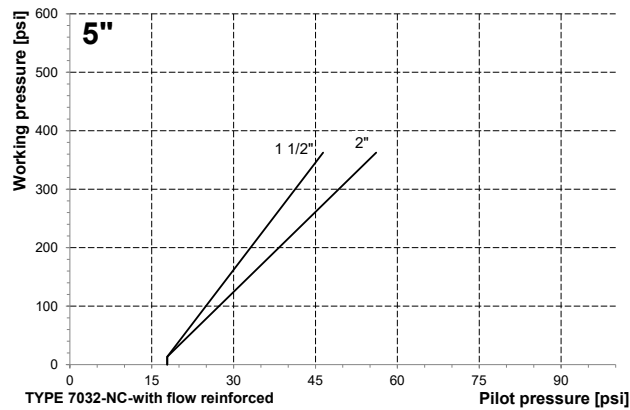


reinforced design

Spring closes NC (closing with flow)

Flanged valves, closing with flow, NO, preferred usage with gaseous media, with liquids closure strokes may occur.

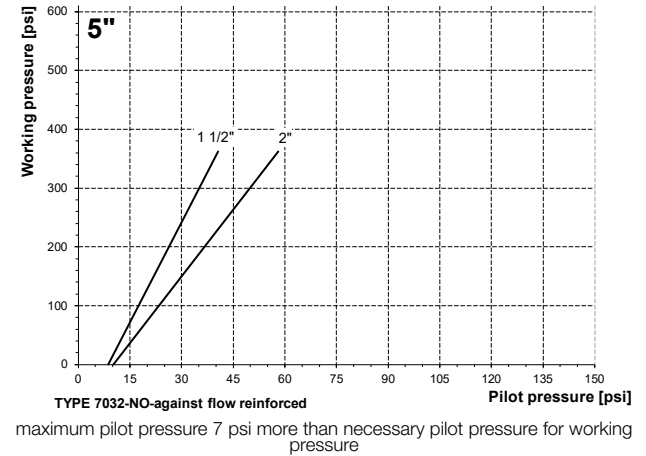
Actuator diameter 5" - a strong spring



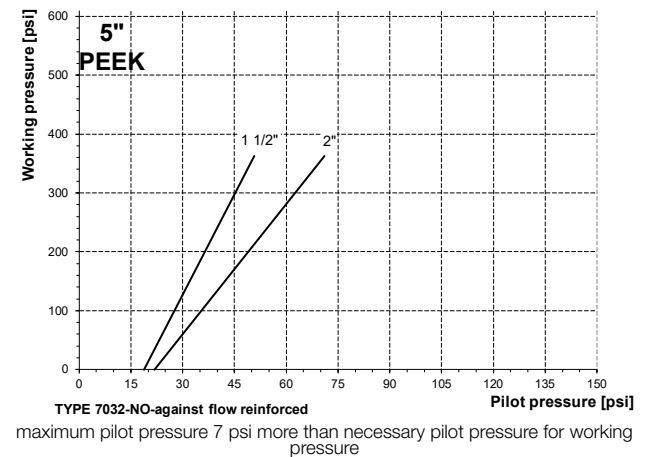
Spring opens NO (closing against flow)

Normally open flanged valves, closing against the flow.

Actuator diameter 5"



Actuator diameter 5" - PEEK seating seal



NC (closing against flow)

Nominal size	Working pressure max. (differential pressure) psi	Pilot pressure psi		Actuator	Springs
1 1/2"	290	45	- 145	3"	3
1 1/2"	365	40	- 90	10"	8
2"	175	45	- 145	3"	3
2"	220	30	- 90	10"	6
2"	275	40	- 90	10"	8
2"	365	55	- 90	10"	12

Standard

higher pressures on request

Straight Bodied Flanged Valve 7032



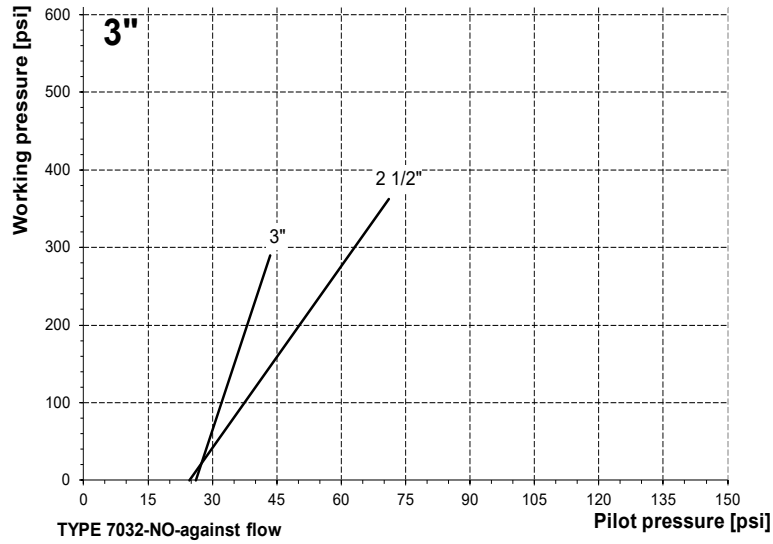
pressure balanced design

Spring closes NC, pressure balanced (closing against flow)

Nominal size	Working pressure max. (differential pressure) psi	Pilot pressure psi		Actuator	Springs
		54	- 145		
DN65	135	54	- 145	3"	1
	200	67	- 145	3"	2
	275	85	- 145	3"	3
	130	19	- 145	5"	1
	325	34	- 145	5"	2
	360	47	- 145	5"	3
	360	22	- 145	10"	4
DN80	280	54	- 145	3"	1
	290	67	- 145	3"	2
	265	19	- 145	5"	1
	290	34	- 145	5"	2
	290	22	- 145	10"	4

Standard

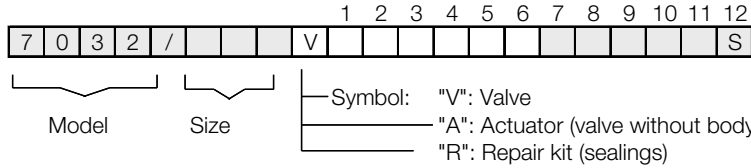
Spring opens NO, pressure balanced (closing against flow)



Straight Bodied Flanged Valve 7032



Ordering Number System



1 - 6 : Please quote all 6 sections.
7 - 12: Quote only if required.

1. Body type	2. Connection	3. Body material	4. Seating seal	5. Pilot function	6. Actuator
9 flanged valve	1 flange acc. DIN EN 1092-1 2 ANSI 150 flange length acc. ANSI/ISA-75.08.01	2 stainless steel	0 PTFE (Teflon) 1 FKM (Viton) 2 EPDM 3 NBR (standard quality)	0 NC (closing with flow) 1 NO (closing against flow) 2 NC (closing against flow) 3 Universal, double acting 5 NC, pressure balanced	7 piston Ø 2", NPT 8 piston Ø 3", NPT 9 piston Ø 5", NPT P piston Ø 2" with plastic bonnet, NPT S piston Ø 3" with plastic bonnet, NPT D diaphragm 10", NPT
7. Springs	8.	9. Packing	10. Temperature version	11. Accessories	12. Special versions
- standard 1 1 spring 2 2 springs 3 3 springs T 6 springs (10") W 8 springs (10") Y 12 springs (10")	-	- standard 2 packing underneath	- standard H high temperature version +392°F B high temperature HT220 (428°F) U low temperature version down to -58°F, fluid temperature W low temperature version, down to -40°F, ambient temperature	- no accessories 1 electrical position indicator with one switch 2 as above but with two switches 3 manual emergency operation 4 additional manual operation 5 stroke limitation 6 pilot valve DN 2, 230 V AC 7 pilot valve DN 2, 24 V DC K electr. position indicator compact M position indicator with two ind. switches 10 - 36 V DC (PNP) P position indicator with one ind. switch 10 - 36 V DC (PNP) T position indicator compact, inductive 10 - 30 V DC (PNP)	S Special versions M Position indicator with cable bushing N Position indicator with plug connection

Ordering example:

7032/050V922028- - - - 5

steel,

Flanged valve type 7032, size 2", connection ANSI150 flange, body material stainless steel, seating seal PTFE, NC closing against flow, actuator 3" NPT, stroke limitation.

reinforced design (from 1 1/2"):

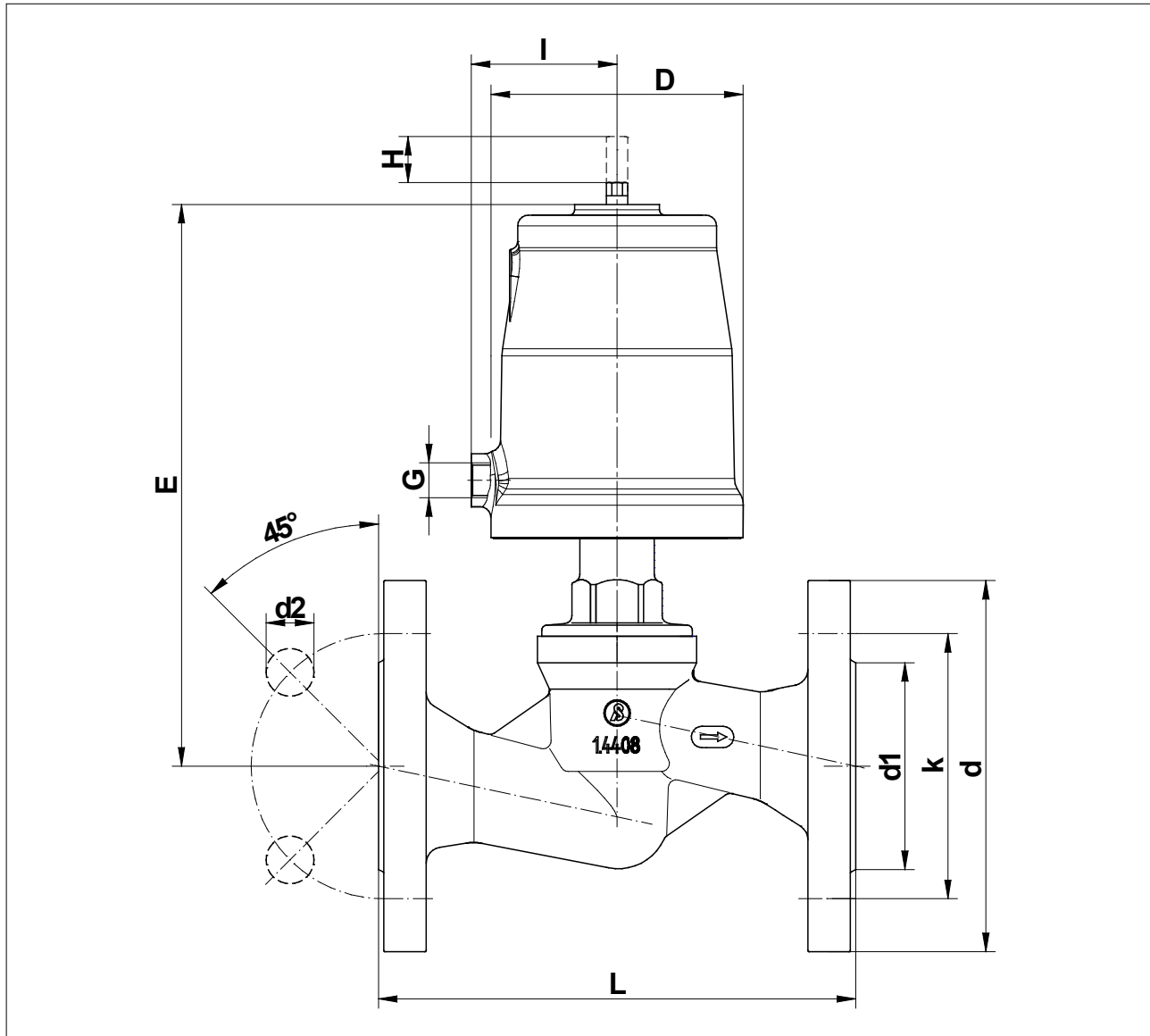
Ordering example:

7032/050V92202D-----S--K

„K“ reinforced design

Flanged valve type 7032, DN 2", connection ANSI150 flange, body material stainless steel, seating seal PTFE, NC closing against flow, actuator 10" NPT, reinforced design

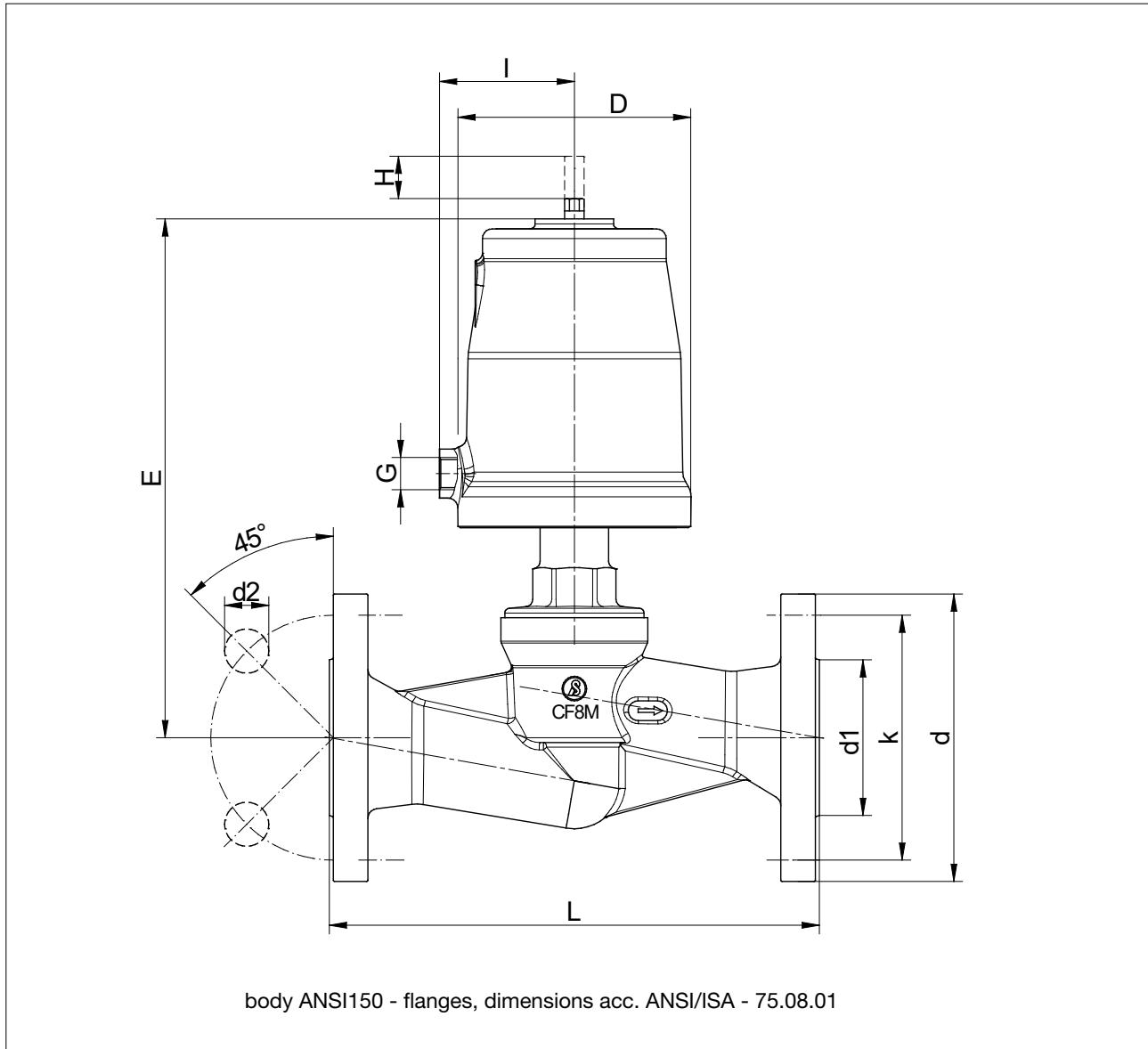
Dimensions and Weights, DIN-flange



Size	Actuator	L	D	d	d1	d2	k	E	G	Stroke	I	Cv-Value	Weight (lbs)
1/2"	2"	5.12	2.44	3.74	1.77	0.55	2.56	5.79	1/8"	0.47	1.36	3.6	6
3/4"	2"	5.91	2.44	4.13	2.28	0.55	2.95	5.98	1/8"	0.61	1.36	7.5	7
1"	2"	6.3	2.44	4.53	2.68	0.55	3.35	6.65	1/8"	0.61	1.36	13.9	9
1"	3"	6.3	3.86	4.53	2.68	0.55	3.35	8.19	1/4"	0.79	2.17	13.9	12
1 1/4"	2"	7.09	2.44	5.51	3.07	0.71	3.94	6.81	1/8"	0.61	1.36	19.7	12
1 1/4"	3"	7.09	3.86	5.51	3.07	0.71	3.94	8.35	1/4"	0.91	2.17	20.3	15
1 1/4"	5"	7.09	5.67	5.51	3.07	0.71	3.94	9.29	1/4"	0.91	3.15	20.3	20
1 1/2"	2"	7.87	2.44	5.91	3.46	0.71	4.33	7.05	1/8"	0.61	1.36	29	15
1 1/2"	3"	7.87	3.86	5.91	3.46	0.71	4.33	8.58	1/4"	1.12	2.17	29	18
1 1/2"	5"	7.87	5.67	5.91	3.46	0.71	4.33	9.53	1/4"	1.12	3.15	29	23
2"	3"	9.06	3.86	6.5	4.02	0.71	4.92	9.49	1/4"	1.18	2.17	46.4	22
2"	5"	9.06	5.67	6.5	4.02	0.71	4.92	10.47	1/4"	1.18	3.15	46.4	27

Dimensions in inch

Dimensions and Weights, ANSI 150 flanges



Size	Actuator	L	D	d	d1	d2	k	E	G	Hub	I	Cv-value	Weight (lbs)
1/2"	2"	7.24	2.44	3.5	1.38	0.62	2.38	5.83	1/8"	0.47	1.36	3.6	6
3/4"	2"	7.24	2.44	3.88	1.69	0.62	2.75	5.98	1/8"	0.61	1.36	7.5	7
1"	2"	7.24	2.44	4.25	2	0.62	3.12	6.65	1/8"	0.61	1.36	13.9	9
1"	3"	7.24	3.86	4.25	2	0.62	3.12	8.19	1/4"	0.79	2.17	13.9	12
1 1/4"	2"	7.87	2.44	4.62	2.5	0.62	3.5	6.81	1/8"	0.61	1.36	19.7	12
1 1/4"	3"	7.87	3.86	4.62	2.5	0.62	3.5	8.35	1/4"	0.91	2.17	20.3	15
1 1/4"	5"	7.87	5.67	4.62	2.5	0.62	3.5	9.29	1/4"	0.91	3.15	20.3	20
1 1/2"	2"	8.74	2.44	5	2.88	0.62	3.88	7.05	1/8"	0.61	1.36	29	15
1 1/2"	3"	8.74	3.86	5	2.88	0.62	3.88	8.54	1/4"	1.12	2.17	29	18
1 1/2"	5"	8.74	5.67	5	2.88	0.62	3.88	9.53	1/4"	1.12	3.15	29	23
2"	3"	10	3.86	6	3.62	0.75	4.75	9.49	1/4"	1.18	2.17	46.4	22
2"	5"	10	5.67	6	3.62	0.75	4.75	10.47	1/4"	1.18	3.15	46.4	27

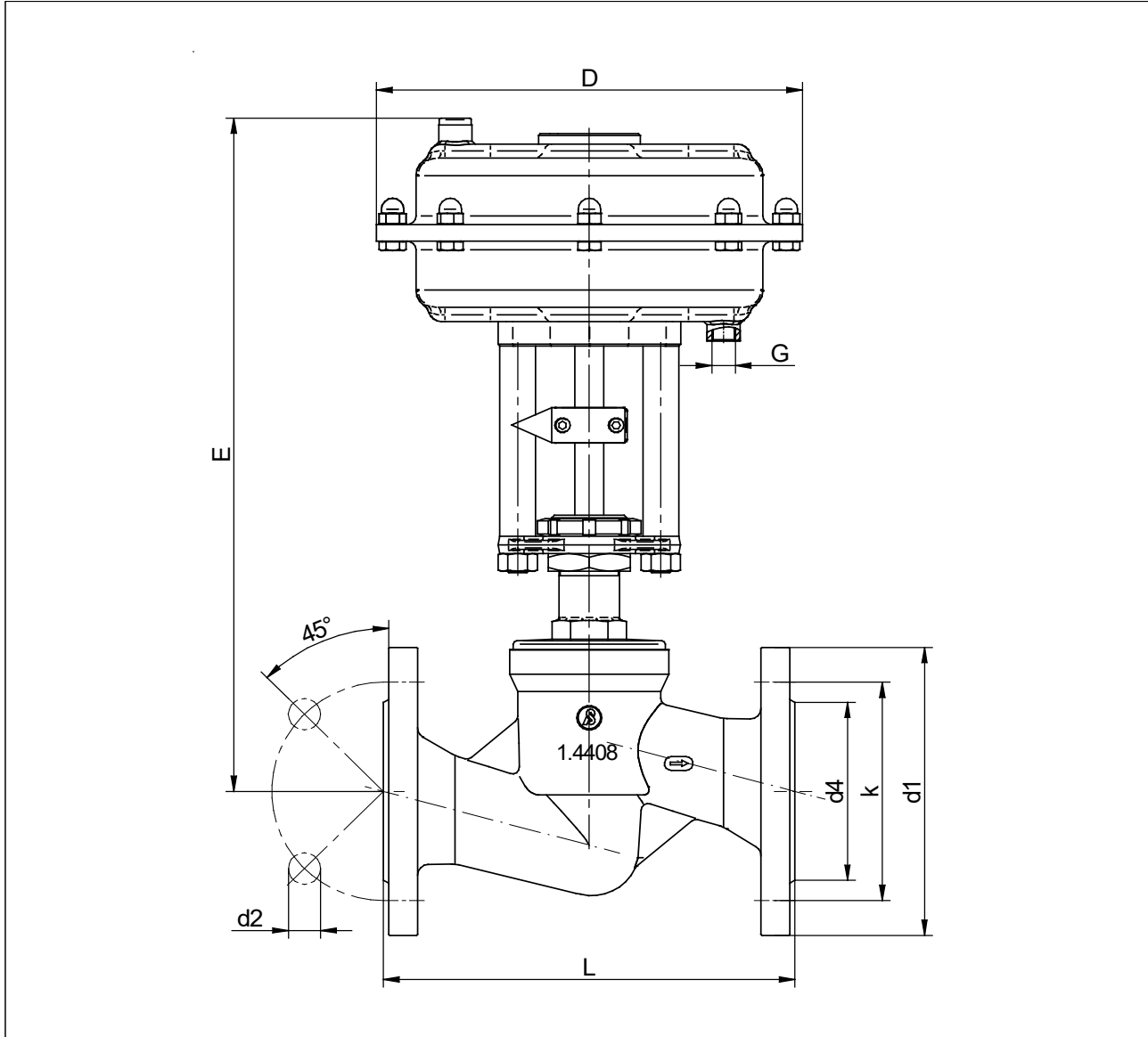
Dimensions in inch

Straight Bodied Flanged Valve 7032



reinforced design

Dimensions and Weights, DIN- and ANSI- flanges



DIN-flange

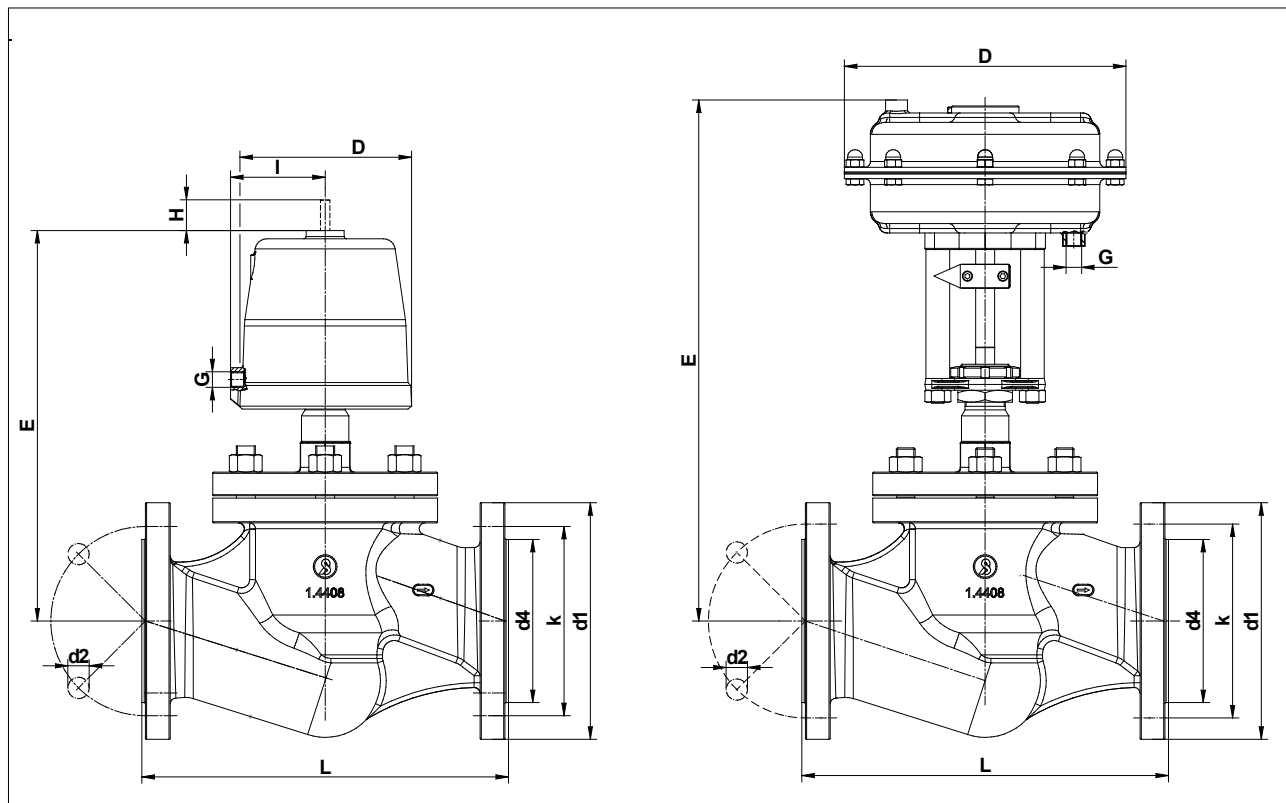
Size	Actuator	L	d1	d2	d4	k	D	E	G	Stroke	Cvs-Value	Weight (lbs)
1 1/2"	10"	7.87	5.91	0.71	3.46	4.33	9.37	15.31	G1/4"	0.98	29	37.5
2"	10"	9.06	6.5	0.71	4.02	4.92	9.37	15.16	G1/4"	0.98	46.4	42

flange ANSI #150 - dimensions acc. ANSI/ISA-75.08.01

Size	Actuator	L	d1	d2	d4	k	D	E	G	Stroke	Cvs-value	Weight (lbs)
1 1/2"	10"	8.74	5	0.62	2.88	3.88	9.37	15.31	1/4"	0.98	29	35.4
2"	10"	10	6	0.75	3.62	4.04	9.37	15.16	1/4"	0.98	46.4	41.8

Dimensions in inch

Dimensions and Weights, DIN-flange DN65 - DN80



DN	Actuator	L	d1	d2	d4	k	D	E	H	G	Stroke	Cvs-Value	Weight (lbs)
2 1/2"	3"	11.42	7.28	0.71	4.8	5.71	3.78	11.61	1.02	G1/4"	1.06	69	50.7
2 1/2"	5"	11.42	7.28	0.71	4.8	5.71	5.75	12.6	1.02	G1/4"	1.06	69	55.1
2 1/2"	10"	11.42	7.28	0.71	4.8	5.71	9.37	16.93	-	G1/4"	0.98	69	66.1
3"	3"	12.2	7.87	0.71	5.43	6.3	3.78	12.01	1.02	G1/4"	1.06	98	66.1
3"	5"	12.2	7.87	0.71	5.43	6.3	5.75	12.99	1.02	G1/4"	1.06	98	70.5
3"	10"	12.2	7.87	0.71	5.43	6.3	9.37	17.52	-	G1/4"	0.98	98	79.4

Dimensions in inch