

Flanged Control Valve 7037

with integrated positioner

1/2" up to 2" 580 psi



Pneumatically operated control valves for neutral through to highly aggressive media.

- Integrated positioner
- Compact design
- All parts contacting the fluid made from stainless steel
- For temperatures from -148°F up to +428°C
- Working pressure up to 580 psi

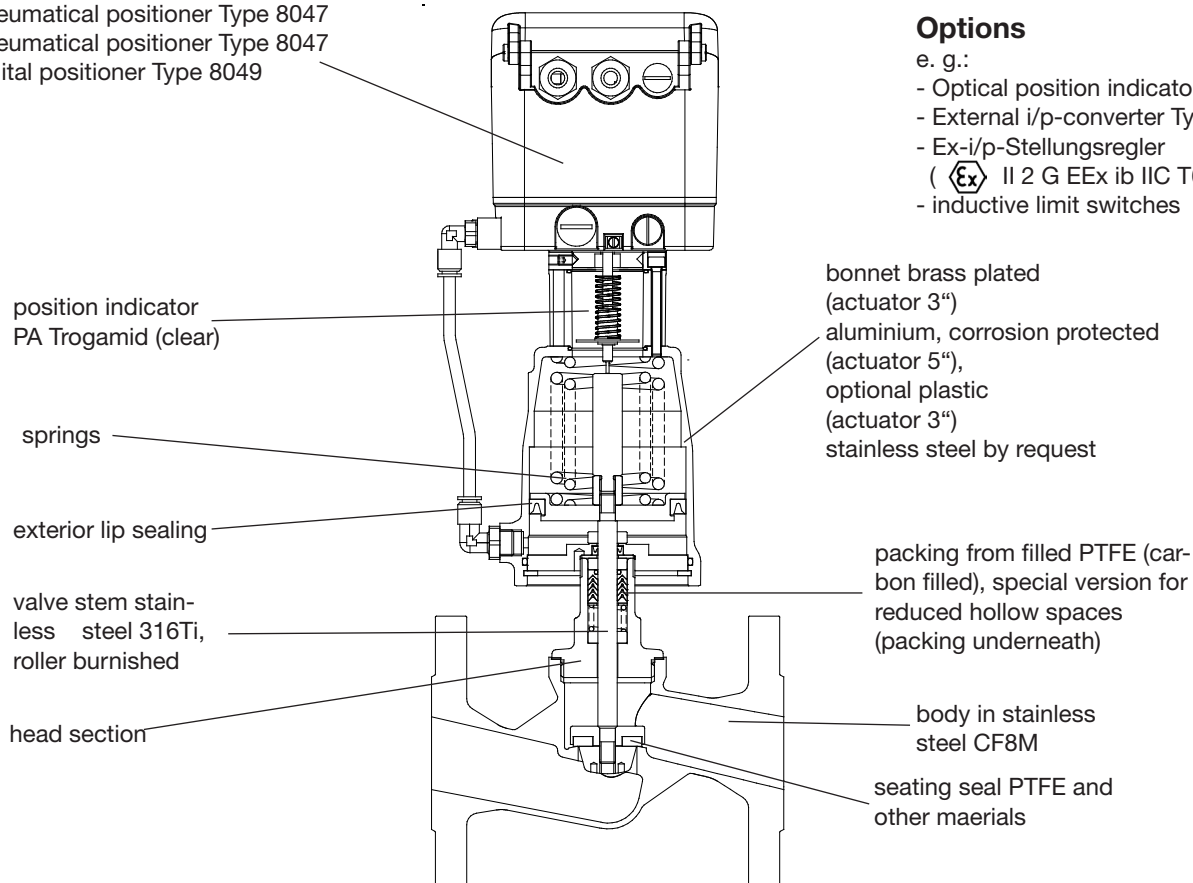
Technical Information

Nominal sizes	1/2" up 2"
Body material	CF8M
Connection	Flanges acc. ANSI B16.5-Class 150 or DIN EN 1092-1
Dimensions	Acc. ANSI/ISA-75.08.01 or DIN EN 558-1 Row 1
Pipe thread acc. DIN/ISO	1/2" - 2"
Nominal pressure	580 psi
Media temperature*	
with metal bonnet	-22°F up to +274°F opt.-148°F up to +428°F
with diaphragm actuator	-22°F up to +392°F opt.-22°F up to +428°F


*: Please consider further temperature versions and limits in technical bulletin 32



pneumatical positioner Type 8047
 pneumatical positioner Type 8047
 digital positioner Type 8049



Options

- e. g.:
- Optical position indicator
 - External i/p-converter Type 8045
 - Ex-i/p-Stellungsregler
( II 2 G EEx ib IIC T6)
 - inductive limit switches

Flanged Control Valve 7037, standard with integrated positioner



Materials

Body	Stainless steel CF8M
Seating seal	PTFE
Bonnet	Brass chrome plated (actuator Ø 3") Aluminium corrosion protected (actuator Ø 5")
Diaphragm actuator	Stainless steel ASTM A313 304
Actuator springs	Stainless steel ASTM A313 302 (actuator Ø 3", diaph. act.) Spring steel wire C, zinc coated (actuator Ø 5")
Packing	PTFE (carbon filled), spring ASTM A313 302
Valve stem	Stainless steel 316 Ti, roller burnished
Position indicator	PA Trogamid (clear)

Positioner

For technical information of our positioners please refer to the corresponding data sheets.

Admissible Differential Pressures

digital positioner

Size	Differential pressure	Supply pressure range	Piston Ø	Spring configuration
	psi			
1/2"	250	60 - 90	3"	2 *
3/4"	250	60 - 90	3"	2
1"	250	60 - 90	3"	1
1 1/4"	145	60 - 90	3"	1
1 1/4"	250	45 - 90	5"	2
1 1/2"	85	60 - 90	3"	1
1 1/2"	250	60 - 90	5"	3
1 1/2"	250	45 - 90	10"	6

* special springs

p/p- and i/p-positioner

Size	Differential Pressure	Supply pressure range	Piston Ø	Spring configuration
	psi			
1/2"	250	60 - 90	3"	2
3/4"	250	60 - 90	3"	2
1"	175	60 - 90	3"	1
1 1/4"	100	60 - 90	3"	1
1 1/4"	190	45 - 90	5"	2
1 1/2"	60	60 - 90	3"	1
1 1/2"	160	60 - 90	5"	3

* special springs

diaphragm actuator direct pressure range

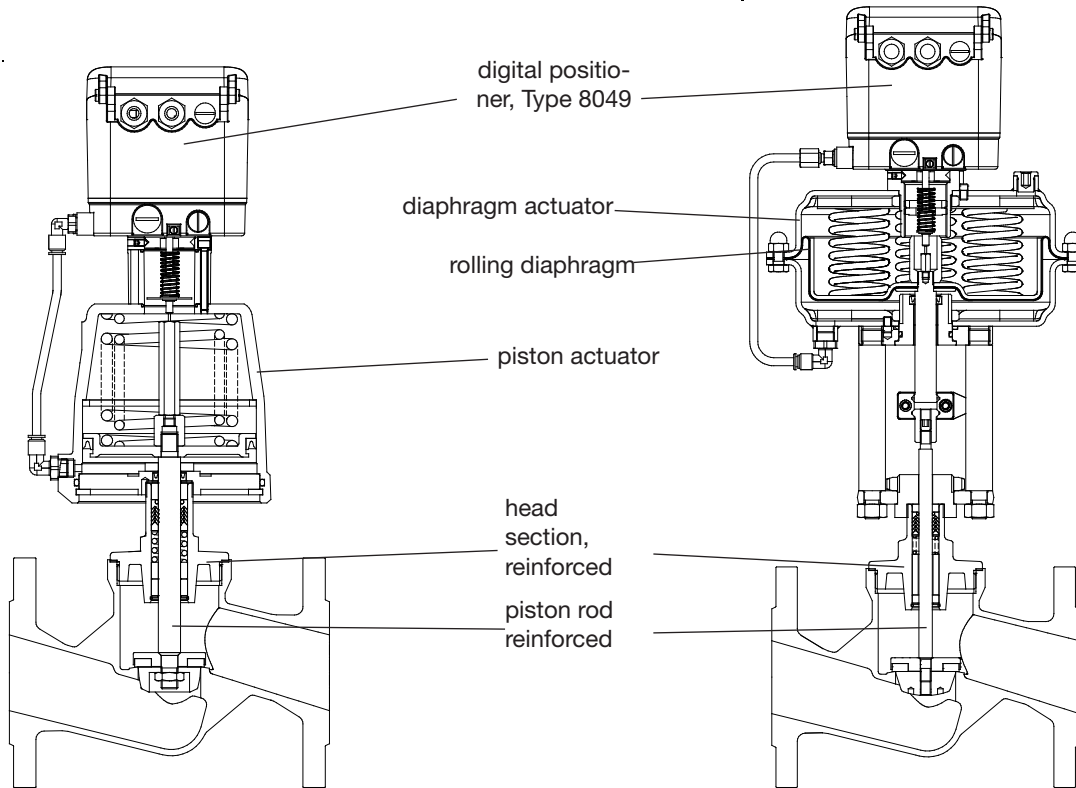
Size	Maximum pressure (psi)		Supply air (psi)		Diaphragm area
	spring range		spring range		
	3 - 15 psi	6 - 29 psi	3 - 15 psi	6 - 29 psi	
1/2"	235	235	20	35	10"
3/4"	235	235	20	35	10"
1"	130	235	20	35	10"
1 1/4"	75	220	20	35	10"
1 1/2"	45	145	20	35	10"
2"	30	90	20	35	10"

Flanged Control Valve 7037, standard



with integrated positioner

2", 580 psi



Admissible Pressures

digital positioner

Size	Max. pressure		Supply pressure range psi	Piston Ø inch	Spring configuration Number
	PTFE	PEEK			
2"	45	-	60 - 90	3"	1
2"	130	45	60 - 90	5"	3
2"	175	75	45 - 90	10"	6
2"	230	145	60 - 90	10"	8*
2"	230	230	60 - 90	10"	12

i/p-positioner p/p-positioner

Size	Differential pressure (psi)	Supply pressure range psi	Piston Ø inch	Springs number
	PTFE			
2"	29	60 - 90	3"	1
2"	87	60 - 90	5"	3
2"	174	60 - 90	10"	10
2"	232	60 - 90	10"	12*

*Standard spring configuration

Cv- Values (valid for standard and reinforced design)

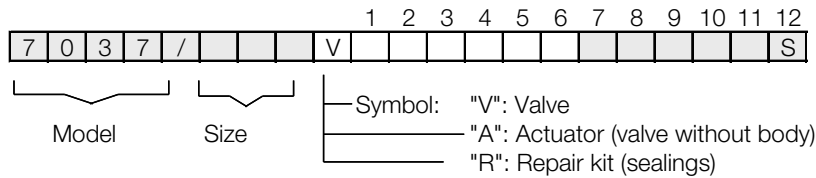
Nominal size	linear						equal percentage					
	1/2"	3/4"	1"	1 1/4"	1 1/2"	2"	1/2"	3/4"	1"	1 1/4"	1 1/2"	2"
100 %	3.7	6.7	12.5	18.6	25.5	38.9	3.5	6.3	11.6	18	23.2	-
63 %	-	4.1	-	11.6	15.3	23.3	-	3.8	-	10.8	13.9	-
40 %	1.5	2.7	5	7.4	10.2	15.5	1.5	2.6	4.6	7.2	9.3	-
25 %	0.9	-	3.1	-	-	-	0.9	-	2.9	-	-	-

Flanged Control Valve 7037, standard



with integrated positioner

Ordering Number System



1 - 6 : Please quote all 6 sections.
7 - 12: Quote only if required.

1. Body type	2. Connection	3. Body material	4. Seat material	5. Pilot function	6. Actuator
9 flange control valve Type 7037	1 DIN flange 2 ANSI #150 * other upon request	2 stainless steel CF8M	0 PTFE (Teflon) 7 PEEK	6 p/p positioner + position indicator Type 8047 7 i/p positioner + position indicator Type 8047 8 i/p positioner with plug connection M12x1 with position indicator Type 8047 9 as above, but for hazardous location use (II 2 G EEx ib IIC T6) plug connec. M12x1 Type 8047 C dig. positioner Type 8049 4 wire R dig. positioner Type 8049 2 wire T dig. positioner Type 8049 AS-i version W dig. positioner Type 8049 2 wire, ex-version	8 piston 3" (NPT) 9 piston 5" (NPT) D diaphragm actuator 40 in ²

7. Springs	8. Characteristic	9. Packing	10. Cv-value	11. Accessories	12. Special versions
- standard spring configuration 1 NO (only with digital positioner)	- linear 1 equal percentage	- standard packing underneath (vacuum) 2	- full Cv-value 1 red. 40% 2 red. 25% 3 red. 15% 4 red. 7,5 % 5 red. 22,5% 6 red. 10%	- without 6 pilot-valve DN2 230V AC 7 pilot-valve DN2 24V DC	S to state if some stations are quoted!

Ordering Example: 7037/020V9220R8
Flanged Control Valve, nominal size 3/4", with ANSI #150 flanges, body material CF8M, seating seal PTFE, digital positioner Type 8049 2-wire, piston 3", linear characteristic 100 %

reinforced design (from 2"):

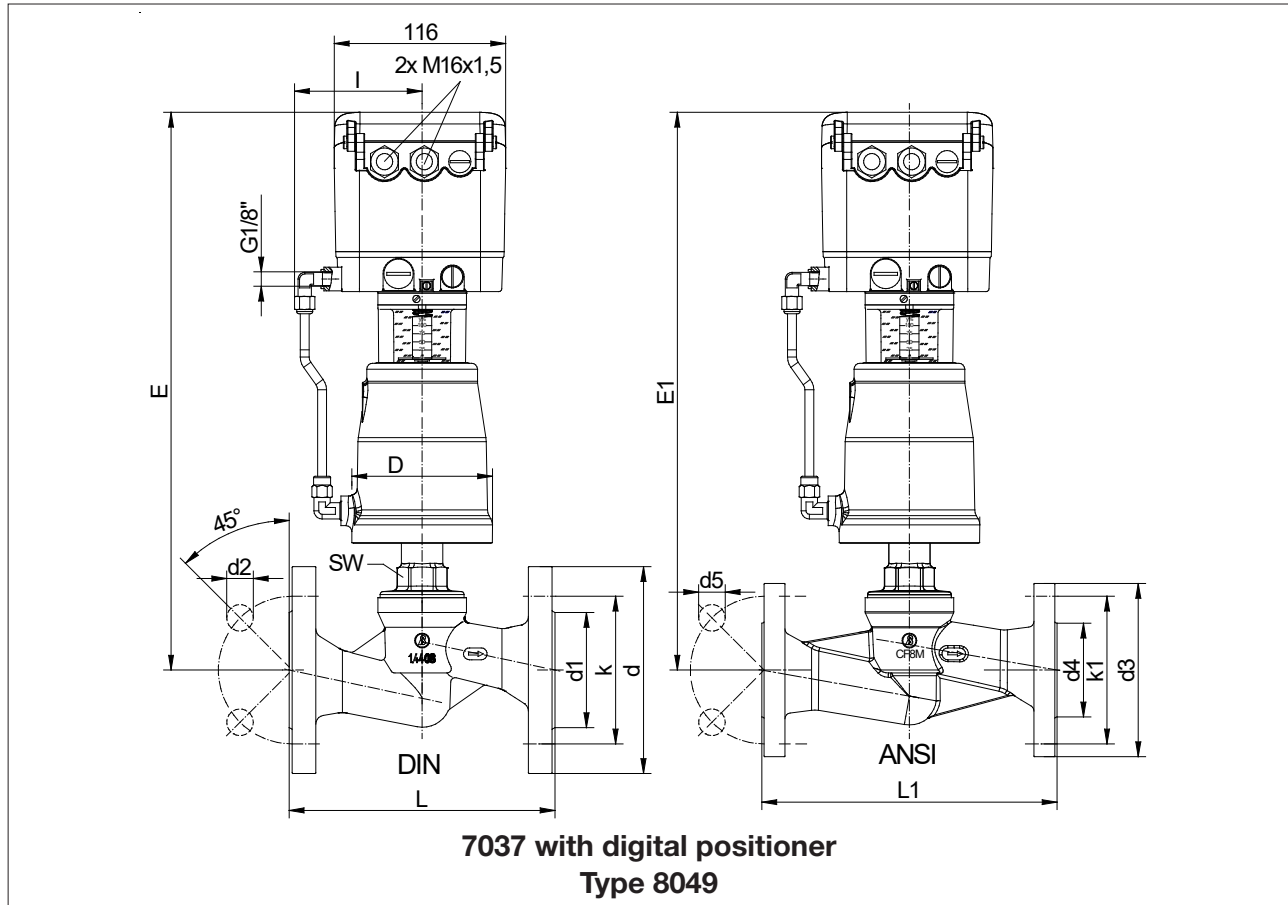
Ordering Example: 7037/020V9220RD-----S-----K
Flanged Control Valve, nominal size 3/4", with ANSI #150 flanges, body material CF8M, seating seal PTFE, digital positioner Type 8049 2-wire, piston diaphragm 40 in², linear characteristic 100 %, reinforced design
„K“ reinforced design

Flanged Control Valve 7037, standard



with integrated positioner

Dimensions and Weights



Nominal size	Actuator	L	L1	D	d	d1	d2	d3	d4	d5	k	k1	E	E1	G	I	SW
1/2"	3"	5.12	7.24	3.86	3.74	1.77	0.55	3.5	1.38	0.62	2.56	2.38	13.89	13.89	1/4"	2.17	1.18
3/4"	3"	5.91	7.24	3.86	4.13	2.28	0.55	3.88	1.69	0.62	2.95	2.75	14.07	14.07	1/4"	2.17	1.18
1"	3"	6.3	7.24	3.86	4.53	2.68	0.55	4.25	2	0.62	3.35	3.12	14.74	14.74	1/4"	2.17	1.18
1 1/4"	3"	7.09	7.87	3.86	5.51	3.07	0.71	4.62	2.5	0.62	3.94	3.5	14.9	14.9	1/4"	2.17	1.18
1 1/4"	5"	7.09	7.87	5.67	5.51	3.07	0.71	4.62	2.5	0.62	3.94	3.5	15.7	15.7	1/4"	2.17	1.18
1 1/2"	3"	7.87	8.74	3.86	5.91	3.46	0.71	5	2.88	0.62	4.33	3.88	15.13	15.13	1/4"	2.17	1.18
1 1/2"	5"	7.87	8.74	5.67	5.91	3.46	0.71	5	2.88	0.62	4.33	3.88	15.94	15.94	1/4"	2.17	1.18

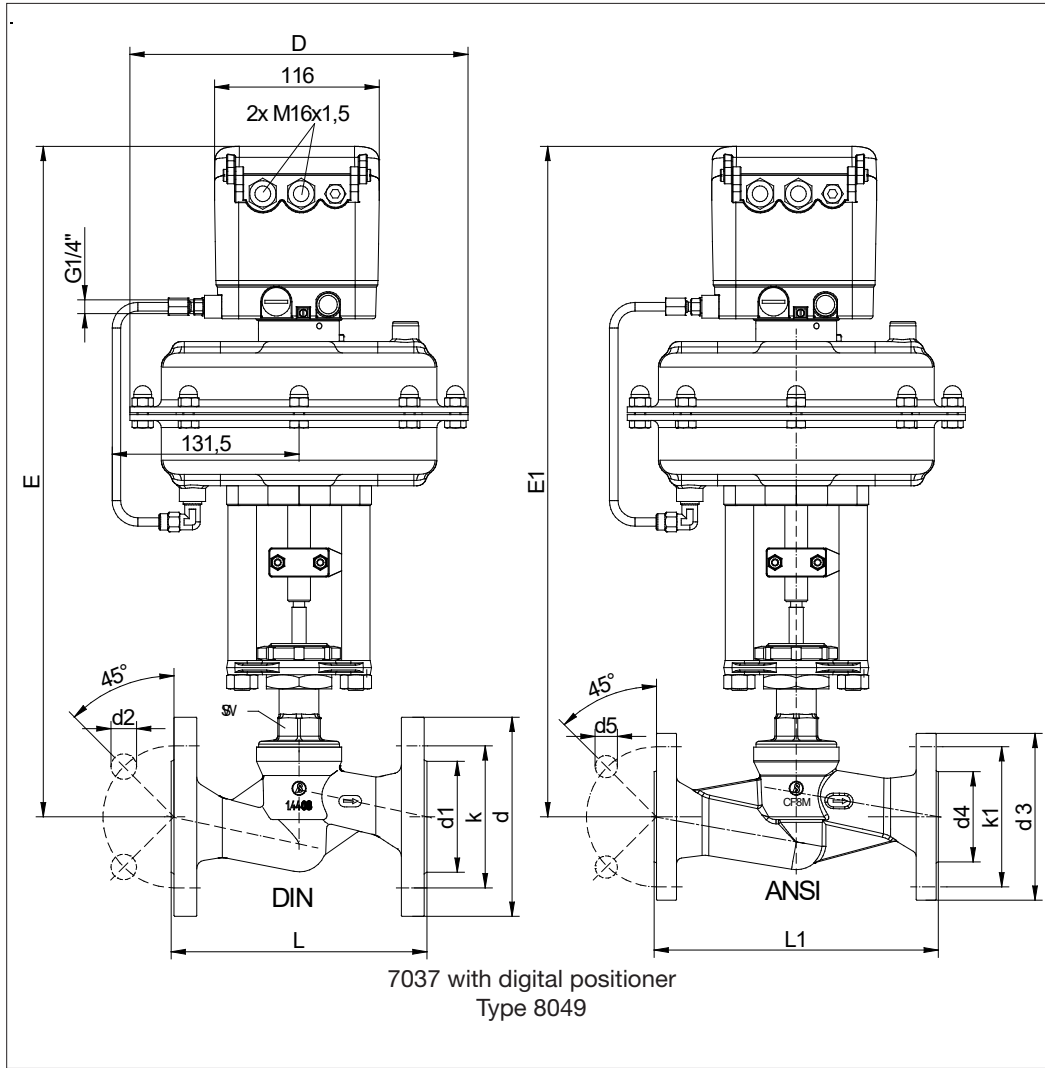
Dimensions in inch

Flanged Control Valve 7037, standard



with integrated positioner

Dimensions and Weights



Text and pictures are not binding. We reserve the right, to alter the equipment.

Nominal size	Actuator	L	L1	D	d	d1	d2	d3	d4	d5	k	k1	E	E1	G	SW
1/2"	5"	5.12	7.24	9.37	3.74	1.77	0.55	3.5	1.38	0.62	2.56	2.38	17.56	17.6	1/4"	1.18
3/4"	5"	5.91	7.24	9.37	4.13	2.28	0.55	3.88	1.69	0.62	2.95	2.75	17.74	17.74	1/4"	1.18
1"	5"	6.3	7.24	9.37	4.53	2.68	0.55	4.25	2	0.62	3.35	3.12	18.41	18.41	1/4"	1.18
1 1/4"	5"	7.09	7.87	9.37	5.51	3.07	0.71	4.62	2.5	0.62	3.94	3.5	18.57	18.56	1/4"	1.18
1 1/2"	5"	7.87	8.74	9.37	5.91	3.46	0.71	5	2.88	0.62	4.33	3.88	18.8	18.8	1/4"	1.42
2" *	5"	9.06	10	9.37	6.5	4.02	0.71	6	3.62	0.75	4.92	4.75	20.01	19.74	1/4"	1.42

*reinforced version

Dimensions in inch