

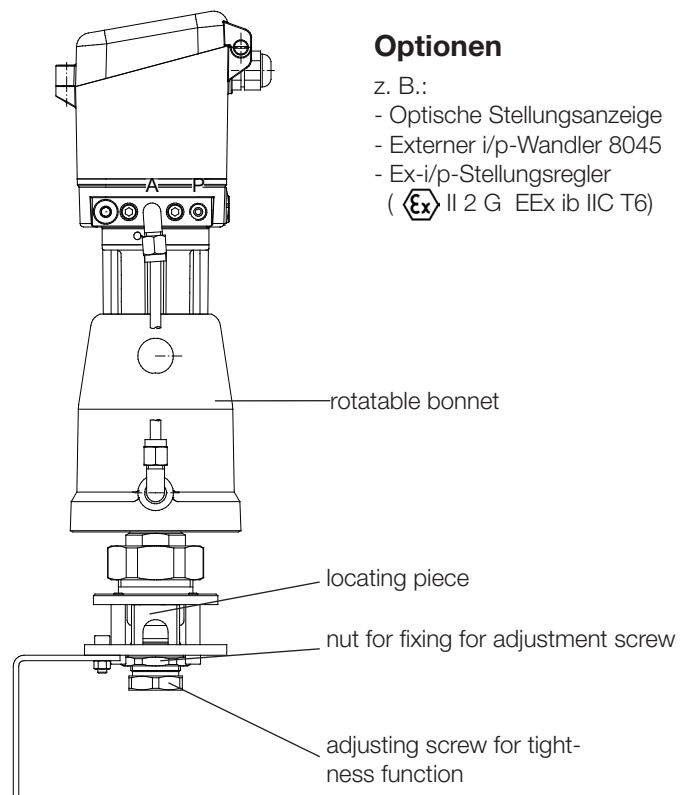
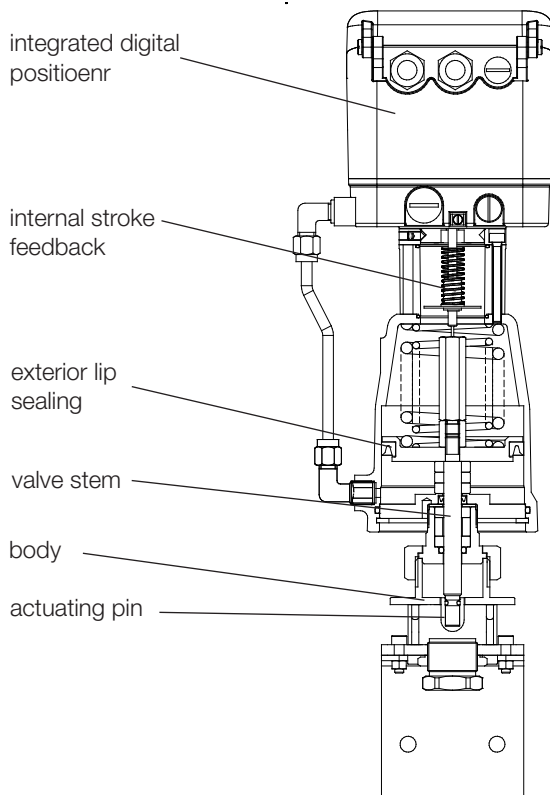
Pinch Control Valve for endless tubes 7077

with integrated positioner 1/8" up to 1/2"



Pneumatically operated control valves for applications in chemistry, food industry and pharmaceuticals.

- Integrated positioner
- Fast and simple change of tube
- Without cavities and back tapers
- No fluid contact to the valve
- working pressure up to 58 psi



Optionen

- z. B.:
- Optische Stellungenanzeige
 - Externer i/p-Wandler 8045
 - Ex-i/p-Stellungsregler (Ex II 2 G EEx ib IIC T6)

Positioner

For technical information of our positioners please refer to the corresponding data sheets.

Pinch Control Valve for endless tubes 7077

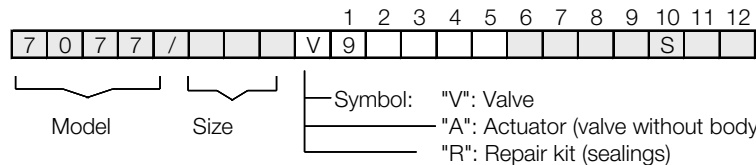


with integrated positioner

Technical Information Valve

Nominal size	1/8", 3/8", 1/2"
Tube (outer diameter)	3/8" - 1/2" - 5/8"
3 interchangeable fixing pieces	3/8" - 1/2" - 5/8"
Adjustment of stroke	complete stroke 0.67 inch (standard) 0.16, 0.20, 0.24, 0.28, 0.35, 0.43, 0.51, 0.59 inch (with software adjustable)
Body material	stainless steel 304
Working pressure	0 - 58 psi according to the quality of the tube, the shore hardness and the thickness of the tube material
Tube types	all types of elastomer up to shore hardness 65°A
Pilot pressure	44 - 87 psi
Thread for pilot connection	G 1/8"
Fluid temperature	-22°F up to +338°F (according to the quality of the tube)
Weight	9.7 lbs

Ordering Number System



1 - 5 : Please quote all 6 sections.
6 - 12 : Quote only if required.

1. Body type	2. Material of the lower part	3. Material of the actuator	4. Positioner	5. Actuator Kolben 80 mm	6. Springs
1 pinch control valve Type 7077	A stainless steel 304	1 brass, chrome plated 2 stainless steel 316L 3 plastic	- without 6 p/p positioner 7 i/p positioner 8 i/p positioner with plug connection M12x1 9 i/p positioner ex-proof (II 2 G Eex ib IIC T6), plug connection M12x1 C digital positioner, type 8049 4 wire R digital positioner type 8049 2 wire T digital positioner type 8049 AS-i version W digital positioner type 8049 2-wire, ex-version	8 piston 3" (NPT)	- without significance 1 spring to open (only with digital positioner)
7. Adjustment of the stroke	8. Fittings	9. Accessories	10. Special versions	11. Adjustment of the positioner	12. Adjustment of the supply air
- complete stroke 0.67 inch) 4 adjustment 0.16 5 adjustment 0.20 6 adjustment 0.24 7 adjustment 0.28 9 adjustment 0.35 A adjustment 0.43 B adjustment 0.51 C adjustment 0.59	- without fittings and tubing made from PA 2 fittings and tubing made of brass nickel-plate 3 fittings and tubing made of stainless steel 316Ti	- without pilot-valve 1/24" 230V AC 7 pilot-valve 1/24" 24V DC C pilot-valve 1/24" 24V/50Hz	S State, if further sections are quoted	- standard 0 0 - 20 mA 3 inverse function 20 - 4 mA 7 0 - 10 V	- standard 1 adjustment of the positioner with 73 psi supply air G positioner with a low air consumption H positioner with a high air consumption

Ordering Example:

7077/014V91A2C8--3

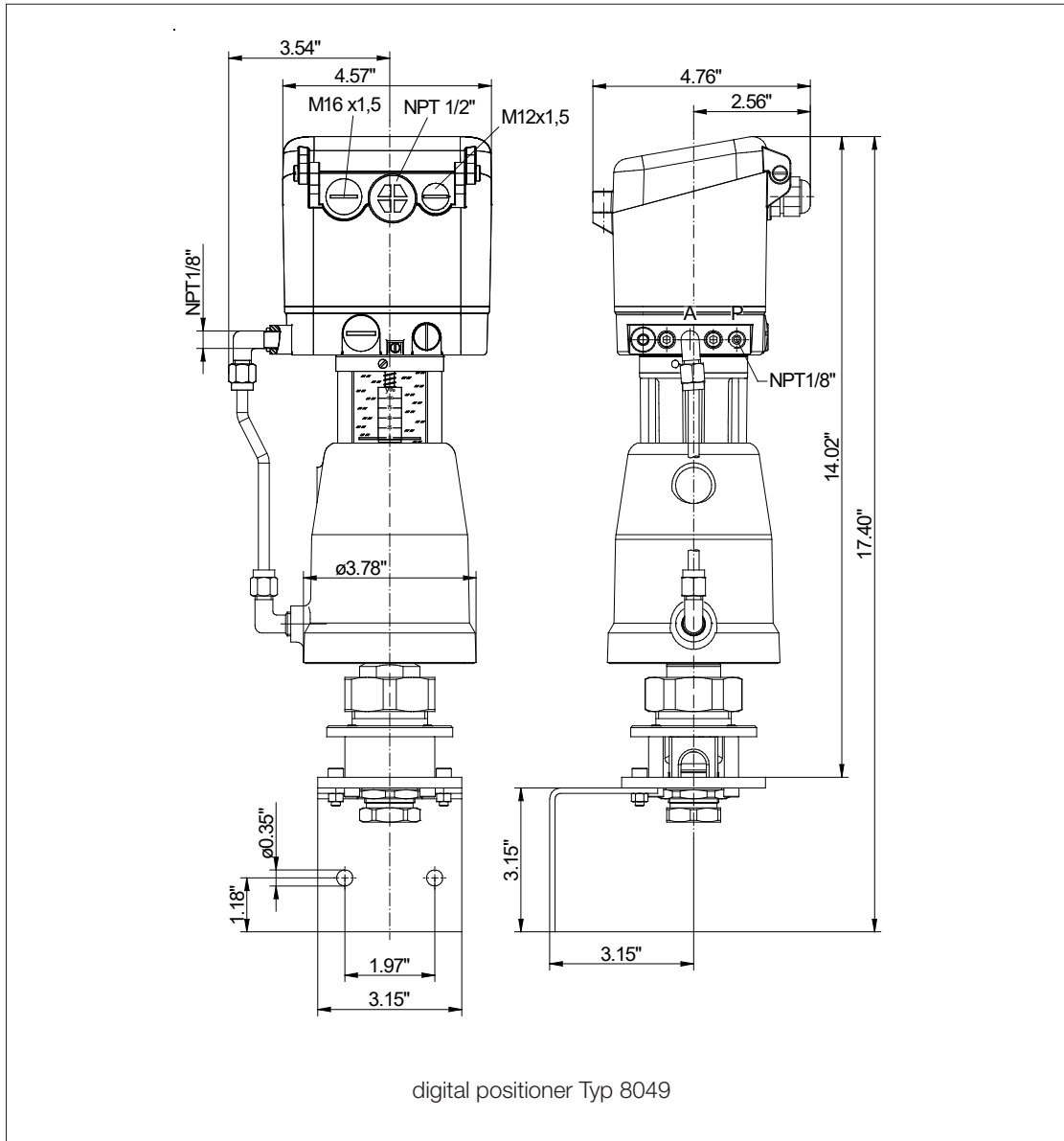
Pinch control valve for endless tubes , DN 14, Material of the lower part stainless steel 304, actuator Ø 80 mm (NPT) stainless steel 316 L, digital positioner 4 wire, adjustment of the stroke 0.67 inch, fittings and tubing made of stainless steel 316 Ti

Pinch Control Valve for endless tubes 7077



with integrated positioner

Dimensions and Weights



Weight: 10,4 lbs