

Flanged Motor Valve compact 7232

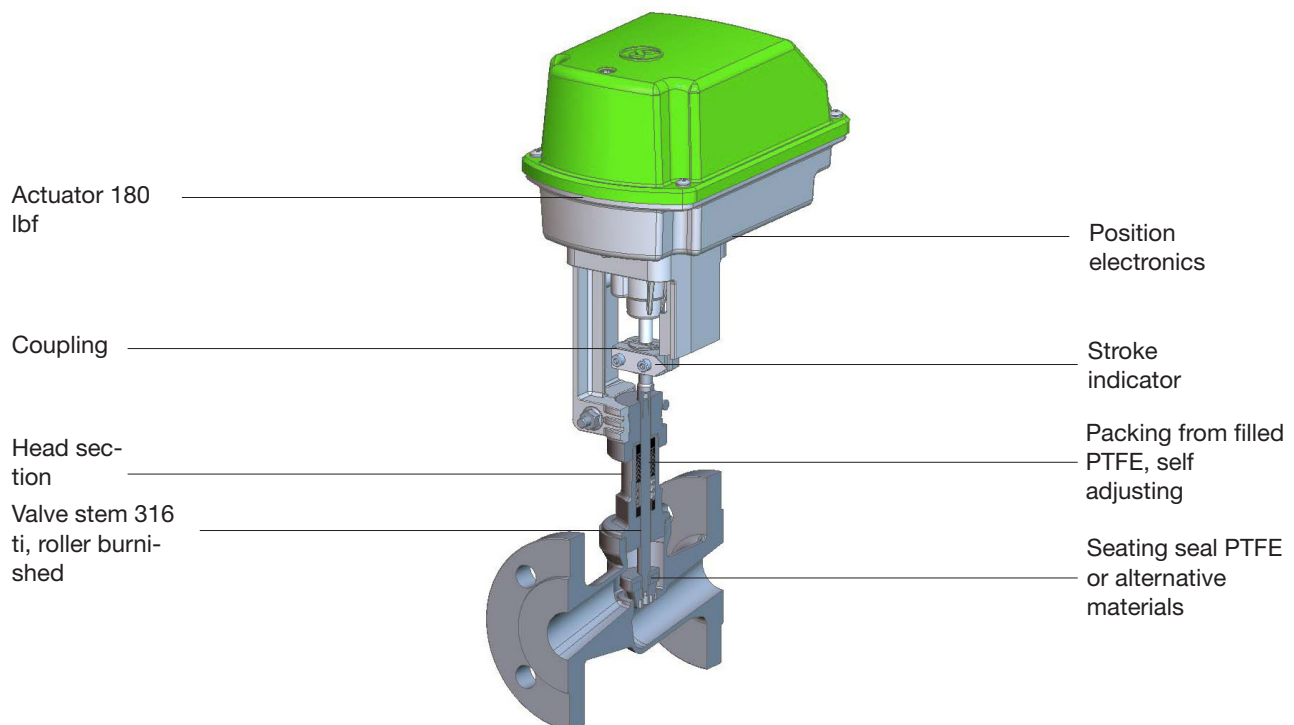
1/2" up to 2"

Motor valve for on/off- and modulating operation for neutral and aggressive media.

- Compact design
- Self adaption
- Unaffected by lightly contaminated media
- For temperatures from -58°F up to 428°F
- Working pressure up to 580 psi
- Versatile actuator options
- Actuators with control function also available with safety position

Technical Information Valve

Body materials	Stainless steel CF8M
Nominal sizes	1/2" up to 2"
Connection	Flanges acc. DIN 2635
Dimension	acc. DIN EN558-1 Row 1
Nominal pressure	580 psi
Media temperature	-22°F up to +392°F, opt. -148°F up to 428°F
Viscosity	max. 600 mm ² /s (600 cSt)
Vacuum	max. 0,0295 mercury (Hg)
Operating pressure packing underneath	max. 175 psi



Technical Information CA-Actuator

Function	Control				On/Off	
	CA24C	CA260C	CA24C-R	CA260C-R	CA24	CA260
Motor type	CA24C	CA260C	CA24C-R	CA260C-R	CA24	CA260
Mains connection	24V AC/DC	90-260V AC	24V AC/DC	90-260V AC	24V AC/DC	90-260V AC
Set point range	(0)2-10V / (0)4-20mA				(2)3-term	
Feedback	(0)2-10V / (0)4-20mA				optional	
Dead band	±0.6% of the entire stroke				-	
Repeatability	±0.3% of the entire stroke				-	
Limit switch	2				optional	
Max. switching capacity	24V AC/DC 200 mA				250V AC/DC 1A	
Actuating speed	38.1 / 50.8 / 76.2 s/inch (Standard: 50.8 s/inch)				50.8 or 76.2 s/inch (Standard: 76.2 s/inch)	
Safety functions	Monitoring of tensile force, set point, temperature of the electronics, etc.				Tensile force monitoring	
Diagnostic functions	Storage of motor and total operating time, temperature and directional classes, etc.				-	
Fail Safe position	-	-	freely adjustable		-	
Load	500 Ω for current set point / 95 kΩ for voltage set point				-	
Max. input	13 W	12 W	13 W	12 W	13 W	12 W
Input heating resistor	10 W					
Starting current	6 A	2,5 A	6 A	2,5 A	6 A	2,5 A
Actuating power	800 N					
Protection class (EN 60529)	IP 65					
Adm. Ambient temperature	14°F to +140°F					
Duty cycle	100%					

*: for control with volt-signal split range adjustments are possible

Wiring diagrams of the actuators can be found in the manual.

Admissible Differential Pressures

Nominal size	p max (psi)											
	1/2"		3/4"		1"		1 1/4"		1 1/2"		2"	
	On/off	Control	On/off	Control	On/off	Control	On/off	Control	On/off	Control	On/off	Control
Stainless steel body	580	232	290	232	174	174	102	102	69	69	40	40

Cvs-Values

Characteristic	linear						equal percentage					
	1/2"	3/4"	1"	1 1/4"	1 1/2"	2"	1/2"	3/4"	1"	1 1/4"	1 1/2"	2"
100 %	3.7	6.7	12.5	18.6	25.5	39.4	3.5	6.3	11.6	18	23.2	-
63%	-	4.1	-	11.6	15.3	23.3	-	3.8	-	10.8	13.9	-
40 %	1.5	2.7	5	7.4	10.2	-	1.5	2.6	4.6	7.2	9.3	-
25 %	0.9	-	3.1	-	-	-	0.9	-	3.1	-	-	-
On-Off	3.9	7.5	12.8	19.7	29	46.4						

Ordering Number System

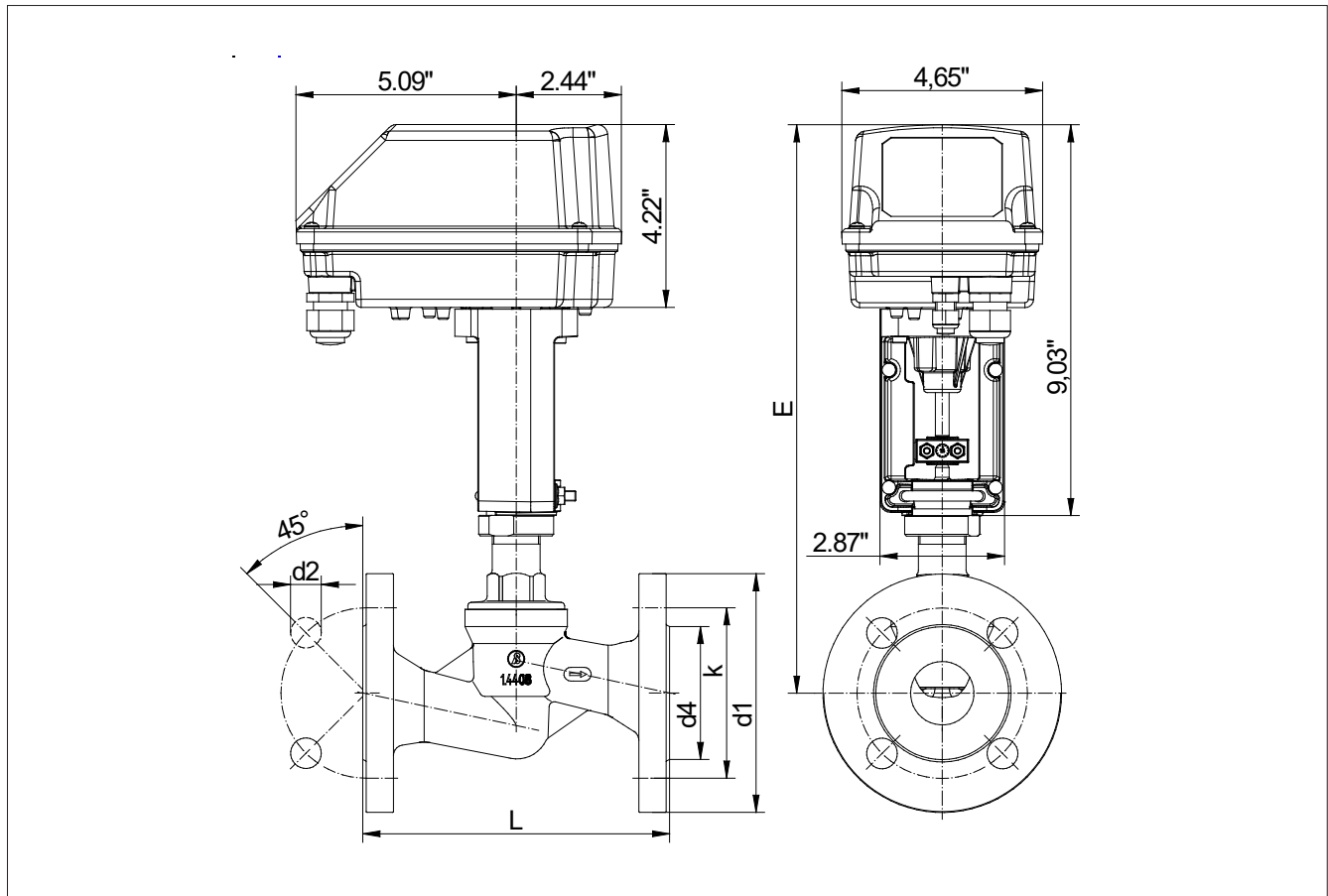
		Article number										
		7232/			K						S	
Nominal size:												
1/4" (DN 15)		015										
3/4" (DN 20)		020										
1" (DN 25)		025										
1 1/4" (DN 32)		032										
1 1/2" (DN 40)		040										
2" (DN 50)		050										
Item:												
Valve		V										
Upper part		U										
Actuator		A										
Body design:												
Flanged valve					9							
Connection:												
Flanges acc. ASME B 16.5						1						
Body material:												
Stainless steel							2					
Seating seal:												
PTFE								0				
FKM (Viton)								1				
EPDM								2				
NBR								3				
Actuator:												
Control actuator CA24C, 24V AC/DC, with position electronic, stanard adjustment: control signal 4-20mA, feedback 4-20mA, 2 limit switch										C		
Control Actuator CA260C, 90-260V 50/60Hz, with position electronic, Standard adjustment 4-20mA, feedback 4-20mA, 2 limit switch										D		
On-Of (3-point) actuator CA24, 24V AC/DC										E		
On-Of (3-point) actuator CA260, 90-260V, 50/60Hz										F		
Control plug:												
none											-	
linear 100%											1	
equal percentage 100%											2	
linear 40%											3	
equal percentage 40%											4	
linear 25%											5	
equal percentage 25%											6	
Safety position:												
without safety position												-
Fail-Safe: normally closed at power failure												2
Fail-Safe: normaly open at power failure												3
Stroking times												
Standard (51 s/inch for control actuators - 76 s/inch for on-off-actuators)												-
76 s/inch												4
38 s/inch												5

Ordering example:

7232/025VK912021

Flanged compact motor valve type 7232, DN 25, flanges acc. DIN 2635, stainless steel body, seating seal PTFE, control actuator BM24C/I, 24V AC/DC, 0,8 kN, control electronics 4-20 mA, position feedback 2-10V, linear characteristic, Kvs-value 14 (100 %).

Dimensions and Weights for CA-actuators



size	L	d1	d2	d4	k	E	stroke	weight kg
1/2"	5.1	3.75	0.55	1.75	2.55	12.15	0.35	8.4
3/4"	5.9	4.15	0.55	2.3	2.95	12.3	0.55	10.3
1"	6.3	4.55	0.55	2.7	3.35	13	0.7	11.7
1 1/4"	7.1	5.5	0.7	3.05	3.95	13.15	0.85	15.2
1 1/2"	7.85	5.9	0.7	3.45	4.35	13.4	0.85	17.8
2"	9.05	6.5	0.7	4	4.9	14.35	0.85	21.8

Dimensions in inch