

# Right Angle Seat Motor Valve 7250

## 1/2" up to 2"



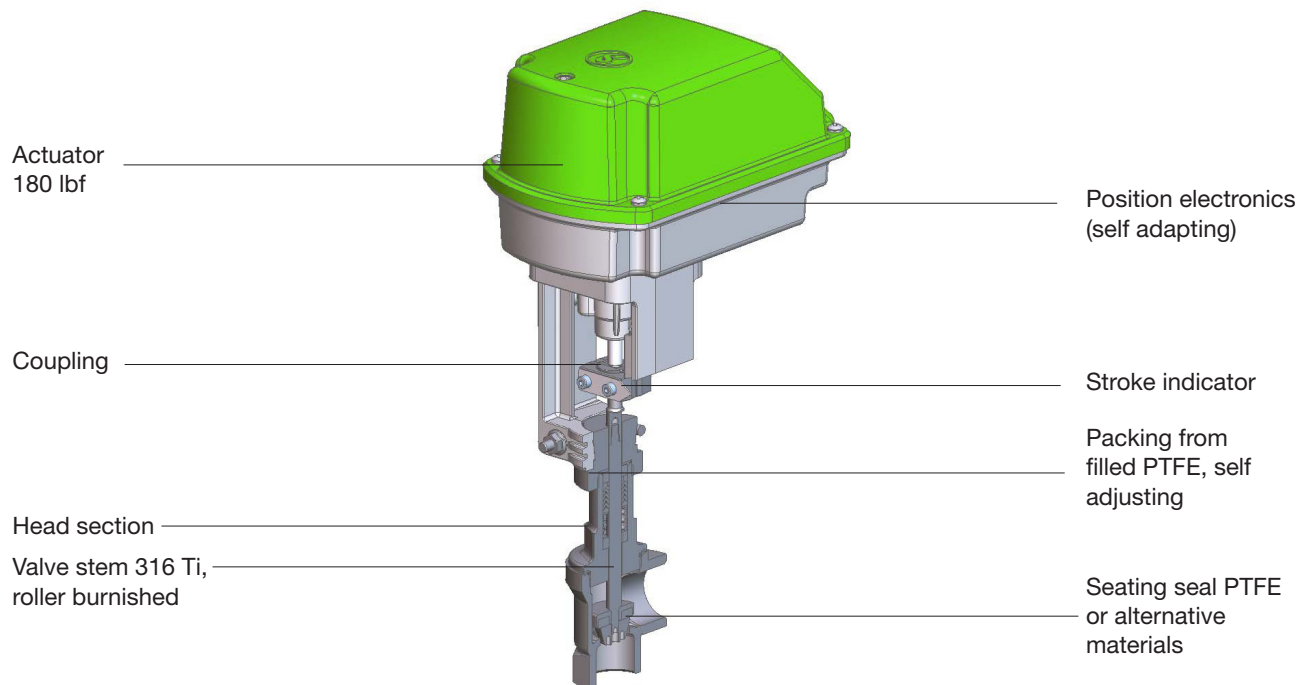
**Motor valve for on/off- and modulating operation for neutral and aggressive media.**

- Compact design
- Self adaption
- Unaffected by lightly contaminated media
- For temperatures from -148°F up to +428°F
- Working pressure up to 580 psi
- Versatile actuator options
- Actuators with control function also available with safety position



### Technical Information Valve

Body materials	Stainless steel CF8M
Nominal sizes	1/2" up to 2"
Connections:	
Pipe threads acc. ISO 228-1	1/2" - 2"
NPT thread	1/2" - 2"
Nominal pressure	580 psi
Media temperature	-22°F up to +392°F, opt. -148°F up to +392°F
Viscosity	max. 600 mm <sup>2</sup> /s (600 cSt)
Vacuum	max. 0,0295 mercury (Hg)
Operating pressure packing underneath	max. 175 psi



## Technical Information CA-Actuator

Function	Control				On/Off	
	CA24C	CA260C	CA24C-R	CA260C-R	CA24	CA260
Motor type	24V AC/DC	90-260V AC	24V AC/DC	90-260V AC	24V AC/DC	90-260V AC
Mains connection					24V AC/DC	90-260V AC
Set point range	(0)2-10V / (0)4-20mA				(2)3-term	
Feedback	(0)2-10V / (0)4-20mA				optional	
Dead band	±0.6% of the entire stroke				-	
Repeatability	±0.3% of the entire stroke				-	
Limit switch	2				optional	
Max. switching capacity	24V AC/DC 200 mA				250V AC/DC 1A	
Actuating speed	38.1 / 50.8 / 76.2 s/inch (Standard: 50.8 s/inch)				50.8 or 76.2 s/inch (Standard: 76.2 s/inch)	
Safety functions	Monitoring of tensile force, set point, temperature of the electronics, etc.				Tensile force monitoring	
Diagnostic functions	Storage of motor and total operating time, temperature and directional classes, etc.				-	
Fail Safe position	-	-	freely adjustable		-	
Load	500 Ω for current set point / 95 kΩ for voltage set point				-	
Max. input	13 W	12 W	13 W	12 W	13 W	12 W
Input heating resistor	10 W					
Starting current	6 A	2,5 A	6 A	2,5 A	6 A	2,5 A
Actuating power	800 N					
Protection class (EN 60529)	IP 65					
Adm. Ambient temperature	14°F to +140°F					
Duty cycle	100%					

\*: for control with volt-signal split range adjustments are possible

Wiring diagrams of the actuators can be found in the manual.

## Pressure Capability

Nominal size	Inlet pressure psi											
	DN15		DN20		DN25		DN32		DN40		DN50	
	On/off	Control	On/off	Control	On/off	Control	On/off	Control	On/off	Control	On/off	Control
Stainless steel body	580	230	290	230	175	175	100	100	70	70	40	40

## Cv-Values

Characteristic	linear						equal percentage					
	1/2"	3/4"	1"	1 1/4"	1 1/2"	2"	1/2"	3/4"	1"	1 1/4"	1 1/2"	2"
100 %	6	12.2	19.1	29	38.3	46.4	4.8	10.8	13.9	18.6	25.5	-
40 %	2.4	4.9	7.7	11.6	18.6	-	2	4.3	5.6	7.4	14.8	-
25 %	1.5	3	4.8	-	-	-	1.2	2.7	3.5	-	-	-
On-Off	6.4	12.2	19.7	29	40.6	52.2						

# Right Angle Seat Motor Valve 7250

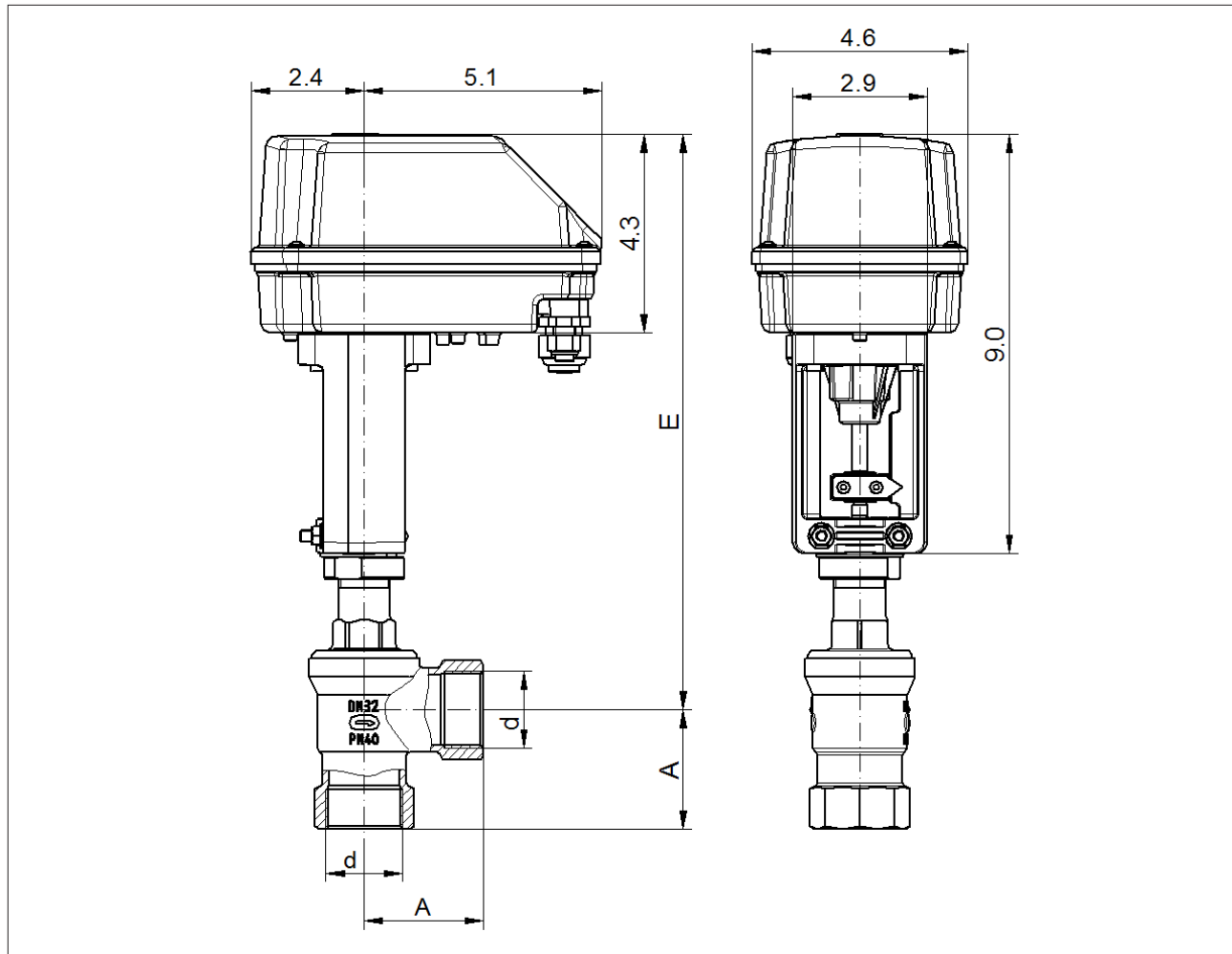


## Ordering Number System

		Article number									
		7250/		K						S	
Nominal size:											
1/4" (DN 15)		015									
3/4" (DN 20)		020									
1" (DN 25)		025									
1 1/4" (DN 32)		032									
1 1/2" (DN 40)		040									
2" (DN 50)		050									
Item:											
Valve		V									
Upper part		U									
Actuator		A									
Body design:											
Right angled body valve			7								
Connection:											
Whitworth-thread				0							
NPT thread				5							
without thread				6							
Body material:											
Stainless steel					2						
Seating seal:											
PTFE						0					
FKM (Viton)						1					
EPDM						2					
NBR						3					
Actuator:											
Control actuator CA24C, 24V AC/DC, with position electronic, stanard adjustment: control signal 4-20mA, feedback 4-20mA, 2 limit switch									C		
Control Actuator CA260C, 90-260V 50/60Hz, with position electronic, Standard adjustment 4-20mA, feedback 4-20mA, 2 limit switch									D		
On-Of (3-point) actuator CA24, 24V AC/DC									E		
On-Off (3-point) actuator CA260, 90-260V, 50/60Hz									F		
Control plug:											
none										-	
linear 100%										1	
equal percentage 100%										2	
linear 40%										3	
equal percentage 40%										4	
linear 25%										5	
equal percentage 25%										6	
Safety position:											
without safety position											-
spring to close											0
spring to open											1
Stroking times											
Standard (51 s/inch for control actuators - 76 s/inch for on-off-actuators)											-
76 s/inch											4
38 s/inch											5

Ordering example: 7250/025VK702021  
 Right angled seat compact motor valve type 7250, 1", pipe thread acc. ISO 228-1, stainless steel body, seating seal PTFE, control actuator BM24C/I, 24V AC/DC, 180 lbf, control electronics 4-20 mA, position feedback 2-10V, linear characteristic, Cv-value 16.2 (100 %).

## Dimensions and Weights for CA-actuators



Size d	A	E	Stroke	Weight lbs
1/2"	1.6	11.2	0.35	5.3
3/4"	1.6	11.2	0.55	5.9
1"	1.6	11.75	0.7	6.2
1 1/4"	2.55	11.75	0.85	7.5
1 1/2"	2.55	11.9	0.85	7.9
2"	2.55	12.55	0.85	9.2

Dimensions in mm