

3/2-Way Motor Control Valve 7282

1/2" up to 2"



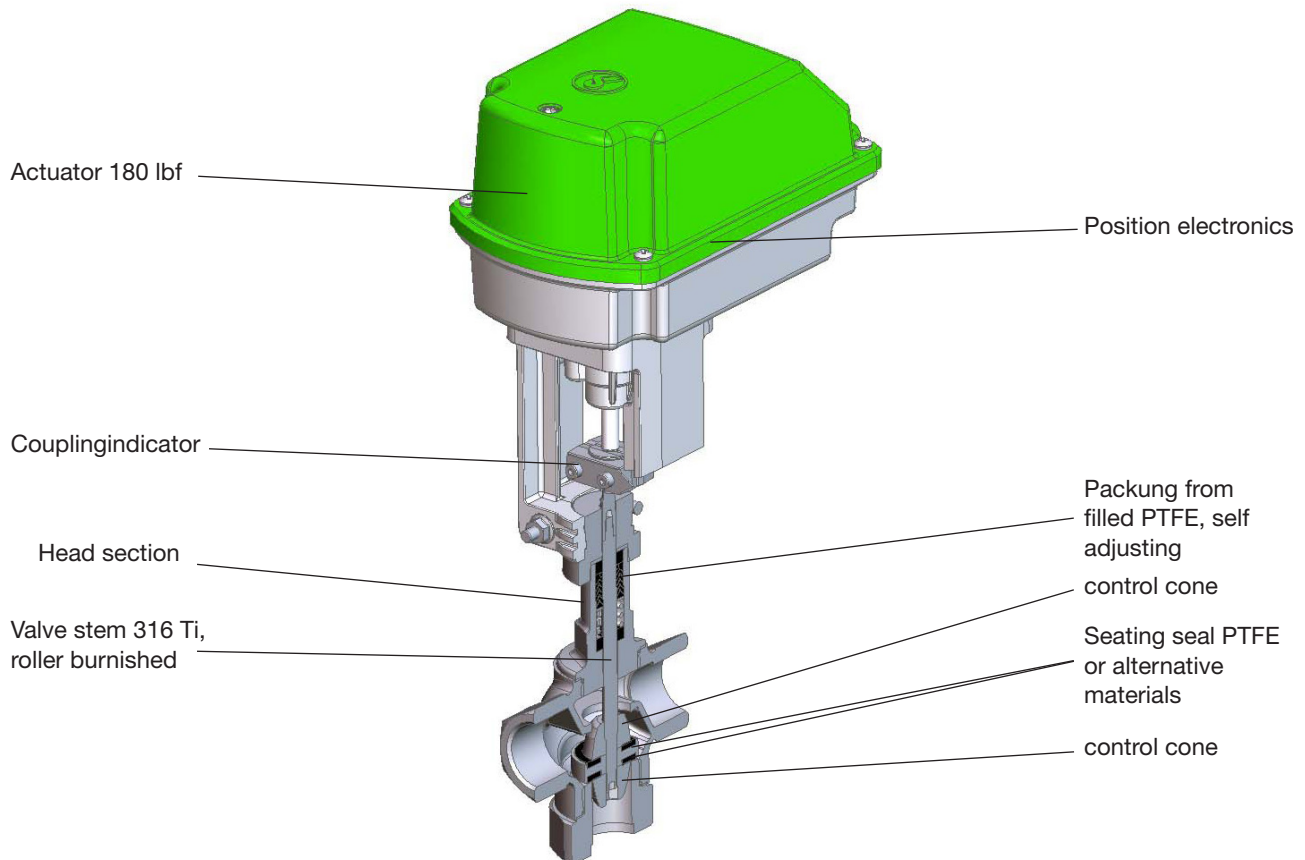
3/2-Way Motor Valve in stainless steel for distributing function, mixing function and modulating operation for neutral and aggressive media.

- Compact design
- Self calibration
- Unaffected by lightly contaminated media
- For temperatures form -58°F up to 428°F
- Versatile actuator options
- Actuators with control function also available with safety position



Technical Information Valve

Body materials	Stainless steel CF8M
Nominal sizes	1/2" up to 2"
Connections	NPT thread: 1/2" up to 2"
Nominal pressure	580 psi
Media temperature	-22°F up to + 392°F, opt. -58°F up to 428°F



Technical Information CA-Actuator

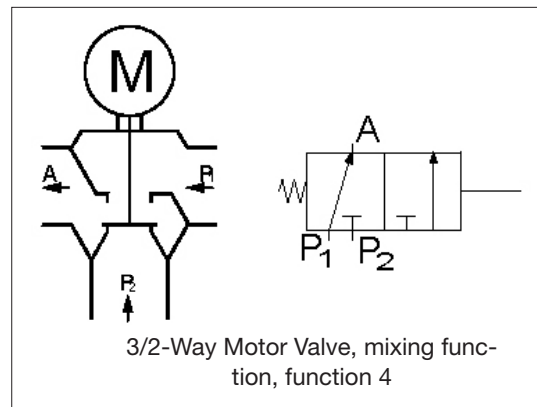
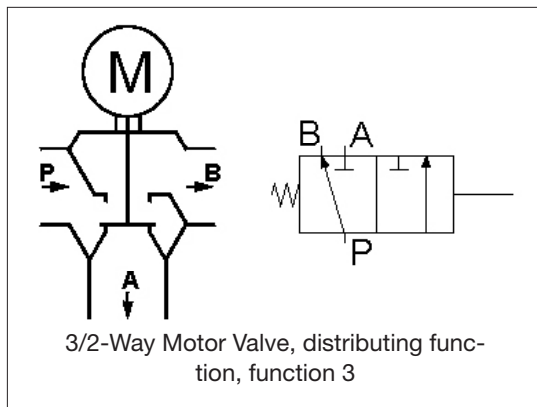
Function	Control				On/Off	
Motor type	CA24C	CA260C	CA24C-R	CA260C-R	CA24	CA260
Mains connection	24V AC/DC	90-260V AC	24V AC/DC	90-260V AC	24V AC/DC	90-260V AC
Set point range	(0)2-10V / (0)4-20mA*				3-term**	
Feedback	(0)2-10V / (0)4-20mA				optional	
Dead band	±0.6% of the entire stroke				-	
Repeatability	±0.3% of the entire stroke				-	
Limit switch	2				optional	
Potentiometer feedback	-				optional	
Max. switching capacity	24V AC/DC 200 mA				250V AC/DC 1A	
Actuating speed	38.1 / 50.8 / 76.2 s/inch (Standard: 50.8 s/inch)				50.8 or 76.2 s/inch (Standard: 76.2 s/inch)	
Safety functions	Monitoring of tensile force, set point, temperature of the electronics, etc.				Tensile force monitoring	
Diagnostic functions	Storage of motor and total operating time, temperature and directional classes, etc.				-	
Fail Safe position	-	-	freely adjustable		-	
Load	500 Ω for current set point / 95 kΩ for voltage set point				-	
Max. input	13 W	12 W	13 W	12 W	13 W	12 W
Input heating resistor	10 W					
Starting current heating resistor	6 A	2,5 A	6 A	2,5 A	6 A	2,5 A
Actuating power	800 N					
Protection class (EN 60529)	IP 65					
Adm. Ambient temperature	14°F to +140°F					
Duty cycle	100%					

*: for control with volt-signal split range adjustments are possible

**: minimum switch on time 200ms

Wiring diagrams of the actuators can be found in the manual.

Versions



Cv-Values

Size	1/2"	3/4"	1"	1 1/4"	1 1/2"	2"
P-B	6.4	7.5	11.6	17.4	52.2	47.6
P-A	8.7	11.6	16.2	20.9	31.3	66.1
P1-A	6.4	7.5	11.6	17.4	31.3	47.6
P2-A	8.7	11.6	16.2	20.9	52.2	66.1

Pressure Capability

Nominal size	Inlet pressure psi					
	1/2"	3/4"	1"	1 1/4"	1 1/2"	2"
	220	220	125	70	35	15

3/2-Way Motor Control Valve



Ordering Number System

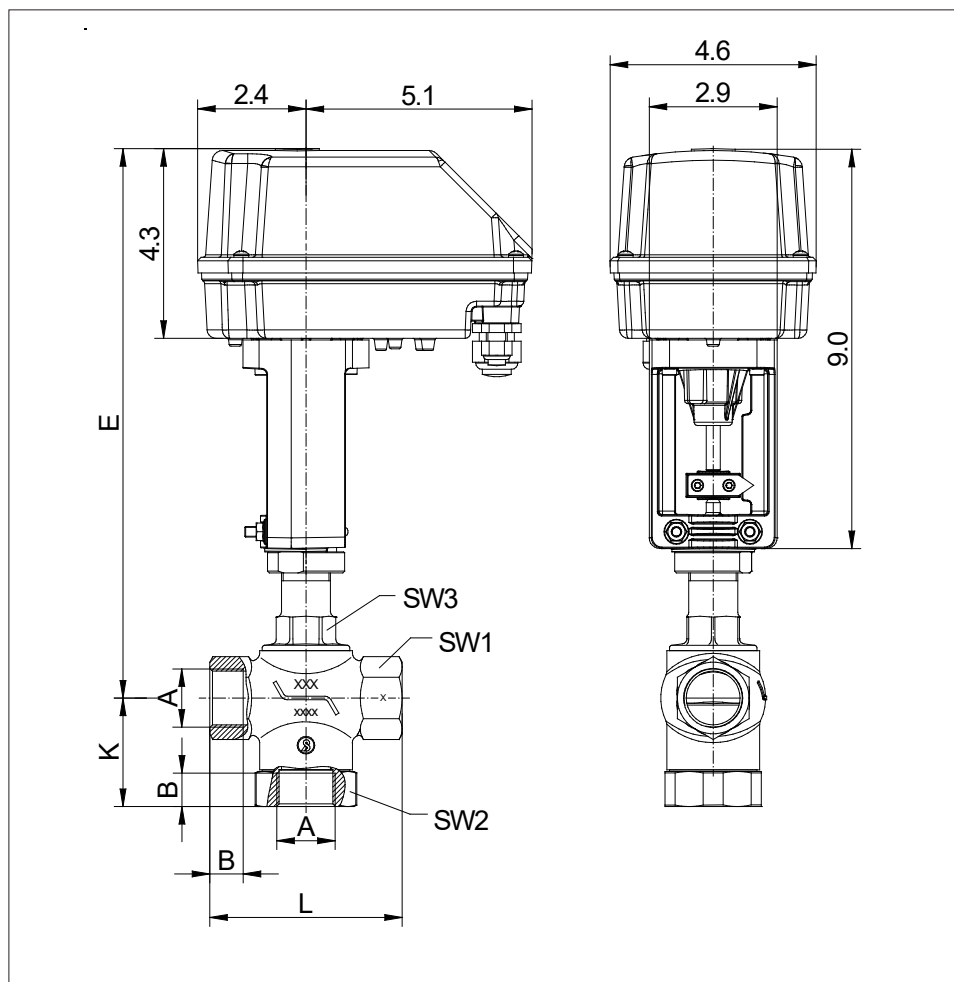
		Article number																							
		7282/																							
Nominal size:																									
1/2" (DN 15)		015																							
3/4" (DN 20)		020																							
1" (DN 25)		025																							
1 1/4" (DN 32)		032																							
1 1/2" (DN 40)		040																							
2" (DN 50)		050																							
Item:																									
Valve			V																						
Valve without actuator			U																						
Actuator			A																						
Body design:																									
3/2-Way Motor Valve, distributing function								3																	
3/2-Way Motor Valve, mixing function								4																	
Connection:																									
Withworth-thread								0																	
NPT thread								5																	
Body material:																									
Stainless steel CF8M								2																	
Seating seal:																									
PTFE								0																	
Actuator:																									
Control actuator CA24C, 24V AC/DC, with position electronic, stanard adjustment: control signal 4-20mA, feedback 4-20mA, 2 limit switch																									
Control Actuator CA260C, 90-260V 50/60Hz, with position electronic, Standard adjustment 4-20mA, feedback 4-20mA, 2 limit switch																									
On-Of (3-point) actuator CA24, 24V AC/DC																									
On-Off (3-point) actuator CA260, 90-260V, 50/60Hz																									
Control plug:																									
linear, full Cv-value																									
Safety position:																									
without safety position																									
Spindle travelling into valve, set point time < 0,06 inch/sec																									
Spindle travelling out of valve, set point time < 0,06 inch/sec																									
Stroking times:																									
Standard (51 s/inch for control actuators - 76 s/inch for on-off-actuators)																									
76 s/inch																									
38 s/inch																									

Ordering example:

7282/025VK4520C

3/2-Way Motor Control Valve Type 7282, 1", NPT thread, stainless steel body CF8M, seating seal PTFE, control actuator CA24C, 180 lbf, 24V AC/DC, control electronics 4-20 mA, position feedback 4-20 mA, control cone lin. 100%.

Dimensions and weights CA-actuators



Size	A G / NPT	B G	B NPT	E	Stroke	K	L	SW1	SW2	SW3	Weight lbs
1/2"	1/2"	0.6	0.55	11.8	0.55	2.45	3.55	1	1.6	1.2	6.8
3/4"	3/4"	0.65	0.6	11.8	0.55	2.45	3.55	1.25	1.6	1.2	6.8
1"	1"	0.75	0.7	12.3	0.55	2.5	4.35	1.6	2.15	1.2	7.7
1 1/4"	1 1/4"	0.85	0.7	12.45	0.6	2.9	5.1	1.9	2.55	1.2	9
1 1/2"	1 1/2"	0.85	0.7	13.05	0.9	3.45	5.5	2.3	2.95	1.25	11
2"	2"	1	0.75	13.55	0.9	3.75	7.1	3.35	3.55	1.4	18.05

dimensions in inch