

Compact digital positioner for pneumatic control valves.

- Positioner can be integrated into valve actuator (no external moving parts for stroke feedback)
- Wide range of strokes 0.12 to 1.1 inches (3 - 28 mm)
- No steady-state air consumption
- Self-adapting to valve actuator
- Configuration and diagnostic functions by PC-software
- Not sensitive to vibrations
- Protection class IP65
- Available with AS-I control
- Instrument air not required (filtration to 20µm)
- Also available for the use in Ex-Zone 22
- Available with integrated process controller
- Also for quarter-turn actuators (single acting or double acting)



ATEX-Versions:



ATEX



II 2G Ex ia IIC T4 Gb for Type 8049-ExPro-1

II 1G Ex ia IIC T4 Ga for Type 8049-ExPro-0

Technical Information, standard versions

Version	8049-4	8049-2	8049-ExPro
Nominal stroke	0.12 - 1.1 inch (opt. 0,24 - 1,97 inch)	0.12 - 1.1 inch (opt. 0,24 - 1,97 inch)	0.12 - 1.1 inch (opt. 0,24 - 1,97 inch)
Voltage of the working resistance	3.5 V (175Ω@20mA)	6.5 V (325Ω@20mA)	8V (400Ω@20mA)
Supply air	max. 85 psi	max. 85 psi	max. 85 psi
Air consumption*	40 NI/min	24 NI/min	24 NI/min
consumption of auxiliary energy in the controlled state	< 0,06 NI/min	< 0,4 NI/min	< 0,4 NI/min
Leakage	< 0,01 NI/min		
Ambient temperature	-4 up to +167°F	+14 up to +167°F	+14 up to +167°F
Control signal	0/4 - 20 mA opt. 0 - 10 V	4 - 20 mA	4 - 20 mA
Auxiliary energy, electric	24 VDC max 10 W	none	none
Adjustment of stroke and zero point	self-learning		
Configuration	with PC-Software		
Air quality according ISO 8573-1:			
max. particle size and density:	Class 5	Class 3	Class 3
oil content	Class 4	Class 2	Class 2
pressure dew point	Class 3	Class 3	Class 3
	min. 20K (36°F) under ambient temperature		
Actuation gas	compressed air or non flammable gases (nitrogen, CO ₂ ,...)		
Mounting to control valve	standardized mounting kits (also with optical position indicator)		
Pressure supply port	G 1/8" NPT		
Protection class acc. DIN 40050	IP 65		

* at 73 psi pilot pressure

Technical Information, ex-versions

Version	8049-ExPro-1	8049-ExPro-0
General explosion-relevant information		
Applied standards	IEC 60079-0:2011, Ed. 6 IEC 60079-11:2011, Ed. 6	
Type examination certificate (ATEX)	BVS 17 ATEX E088	
Type examination certificate (IEC)	IECEX BVS 17.0080	
ATEX label	II 2G Ex ia IIC T4 Gb	II 1G Ex ia IIC T4 Ga
IEC label	Ex ia IIC T4 Gb	Ex ia IIC T4 Ga
Temperature ranges	Tamb = 14 - 167°F	Tamb = 14 - 167°F
Explosion-relevant information for control signal input (Terminals 1 and 2)		
Max. input voltage	Ui = DC 30V	Ui = DC 30V
Max. input current	Ii = 120 mA	Ii = 120 mA
Max. input power	Pi = 1000 mW	Pi = 1000 mW
Max. interior capacity	Ci = negligible	Ci = negligible
Max. interior inductivity	Li = negligible	Li = negligible
Explosion-relevant information for alarm output (NAMUR EN 60947-5-6) (Terminals 3 und 4)		
Max. input voltage	Ui = DC 16V	Ui = DC 16V
Max. input current	Ii = 25 mA	Ii = 25 mA
Max. input power	Pi = 64 mW	Pi = 64 mW
Max. interior capacity	Ci = 11 nF	Ci = 11 nF
Max. interior inductivity	Li = negligible	Li = negligible
Explosion-relevant information for binary input (Terminals 5 and 6)		
Max. output voltage	Uo = DC 5.4V	Uo = DC 5.74V
Max. output current	Io = 1 mA	Io = 1 mA
Max. output power	Po = 2 mW	Po = 2 mW
Max. external capacity	Co = 65 nF	Co = 65 nF
Max. external inductivity	Lo = 50 mH	Lo = 50 mH
Explosion-relevant information for PC-COM		
Nominal output voltage	2,8V	2,8V
Max. output voltage	Um = 6.1 V	Um = 6.1 V
Restriction	The interface may only be used for configuration provided that there is no explosive atmosphere.	
Explosion-relevant information for the external path sensor (version with Plug 4)		
Max. output voltage	Uo = 5.0 V	Uo = 5.0 V
Max. output current	Io = 66 mA	Io = 66 mA
Max. output power	Po = 89 mW	Po = 89 mW
Max. external capacity	Co = 94 µF	Co = 94 µF
Max. external inductivity	Lo = 8 mH	Lo = 8 mH

Combination possibilities

	8049-4 (4-wire) version V5	8049-2 (2-wire) version V7	8049-ExPro (ex-version) version V3	8049-IPC with integrated process controller
Standard body	x	x	x	x
Ground plate in stainless steel	x	x	x	x
Positioner completely in stainless steel	x	x	x	
Positioner for part turn actuator single acting	x	x	x	x
Positioner for part turn actuator double acting	x			x
positioner for 50 mm stroke	x	x	x	
Feed back module RM-2	x			
Feed back module RM-3	x			
Feed back module RM-4		x	x	
gauge block	x	x		x

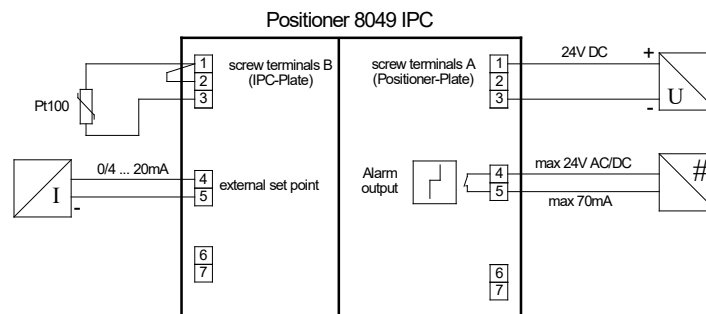
Positioner with integrated PID-process controller module

- Compact solution for local controlling tasks
- Suitable for fast controlled systems due to a short cycle time (only 50 ms)
- Internal or external set point value possible
- LED-display easy to read
- Analog inputs and Pt100
- Configurable as P-, PI-, PD- and PID-controller
- Class of protection IP 65

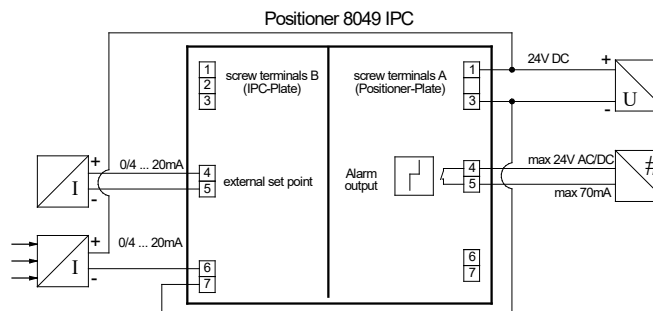


Supply voltage	24 VDC +/-10 %, 350 mA, max. (with positioner)
Sample rate	50 ms
Control variable	Pt100 0/4...20 mA
Set point value	over keyboard or 0/4...20 mA, 0/2...10 V
Input filter control variable	OFF: 20 ms, (Pt100: 200 ms) ON: 800 ms
Alarm output	absolute direct/inverse, relative direct/inverse, Band direct/inverse
Capacity alarm output	max. 24 VAC or DC, max. 70 mA
Control mode	P (with working point y0), PD (with working point y0), PI, PID
Ambient temperature	-4 up to 167°F
Protection class	IP65

Connection example Pt-100



Connection example mA-sensor



Accessories

Analogue feedback modules

- Feedback on current valve position
- Feedback signal does not require calibration
- Easy to retrofit

Analogue feedback module RM-2

- Feedback for 4 wire design
- 2 electrically isolated limit signal transmitters
- Limit signal transmitters freely adjustable (0-100%) with potentiometer
- Binary input 24V



Technical Information

Supply voltage	24V DC ($\pm 10\%$)
Output signal	4 - 20 mA
Max. adm. working resistance	< 700 Ohm
Temperature range	-4 . . . +167°F
Limit signal transmitters	2 pieces
Switching range	adjustable 0-100%
Switching capacity of the limit sign.trans.	24V AC/DC , 70mA
Switching hysteresis	ca. 2.5%

Feedback module RM-3

- Feedback for 4 wire design
- 2 limit signal transmitters according NAMUR (EN60947-5-6)
- Limit signal transmitters freely adjustable (0-100%) with software „DeviceConfig“



Technical Information

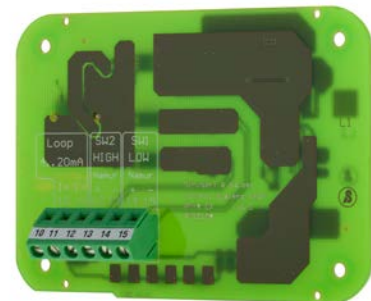
Output signal	4 - 20 mA
Internal load	< 7,6V (380 Ω)
Temperature range	-4 . . . +167°F
Limit signal transmitters	2 pieces
Switching range	adjustable 0-100%
Switching hysteresis	ca. 2.5%

Feedback module RM-4

- Feedback for 2 wire design
- 2 limit signal transmitters according NAMUR (EN60947-5-6)
- Limit signal transmitters freely adjustable (0-100%) with software „DeviceConfig“

Technical Information

Output signal	4 - 20 mA
Internal load	< 8V (400 Ω)
Temperature range	-4 . . . +167°F
Limit signal transmitters	2 pieces
Switching range	adjustable 0-100%
Switching hysteresis	ca. 2.5%



Accessories

Gauge Block

- Gauge block between positioner and connection block
- Pressure range 0 - 87 psi (0 - 6 bar)
- Easy field retrofit



optical position indication for quarter-turn actuators



Housing Versions

Standard version

Ground plate in stainless steel

Completely stainless steel



Materials

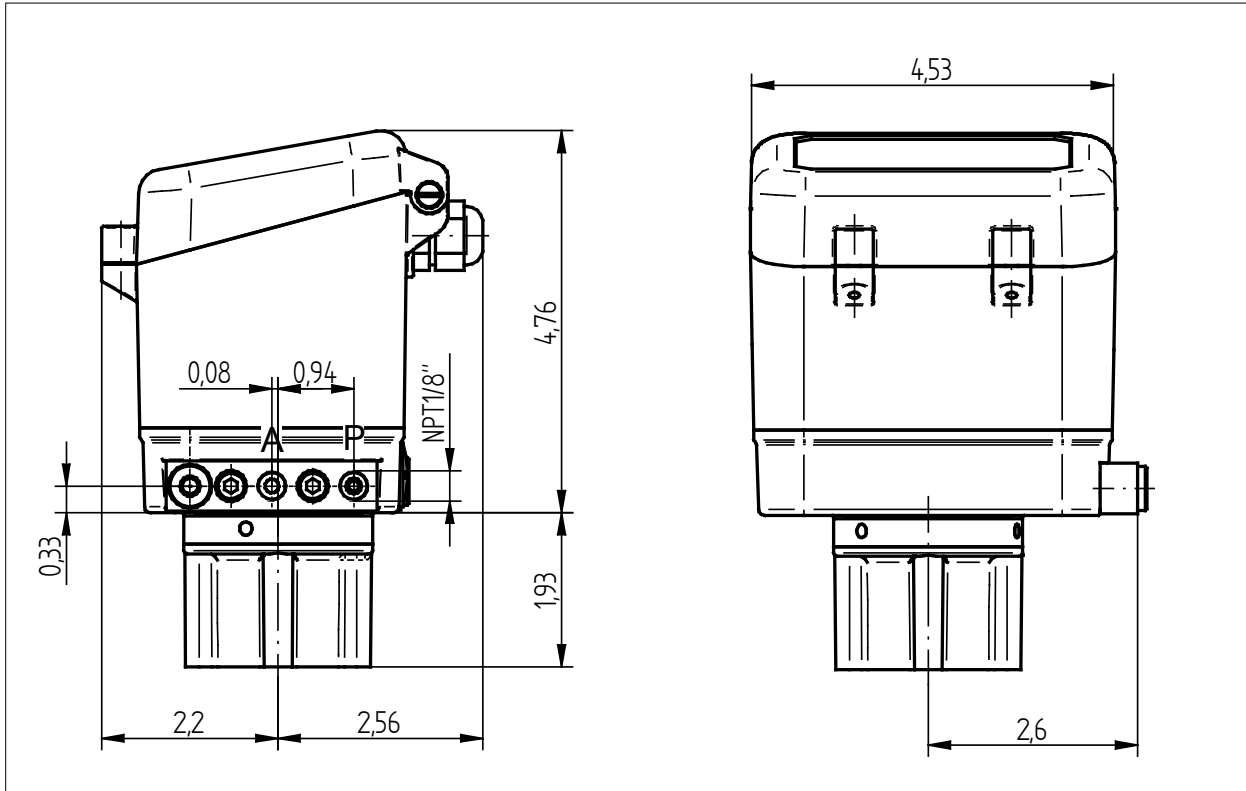
	Standard version	Version "ground plate in stainless steel"	Version "completely stainless steel"
Positioner housing	Vestamid (electroconductive)	Vestamid (electroconductive)	stainless steel
Ground plate	Aluminium, KTL-coated	stainless steel	stainless steel

Ordering number system

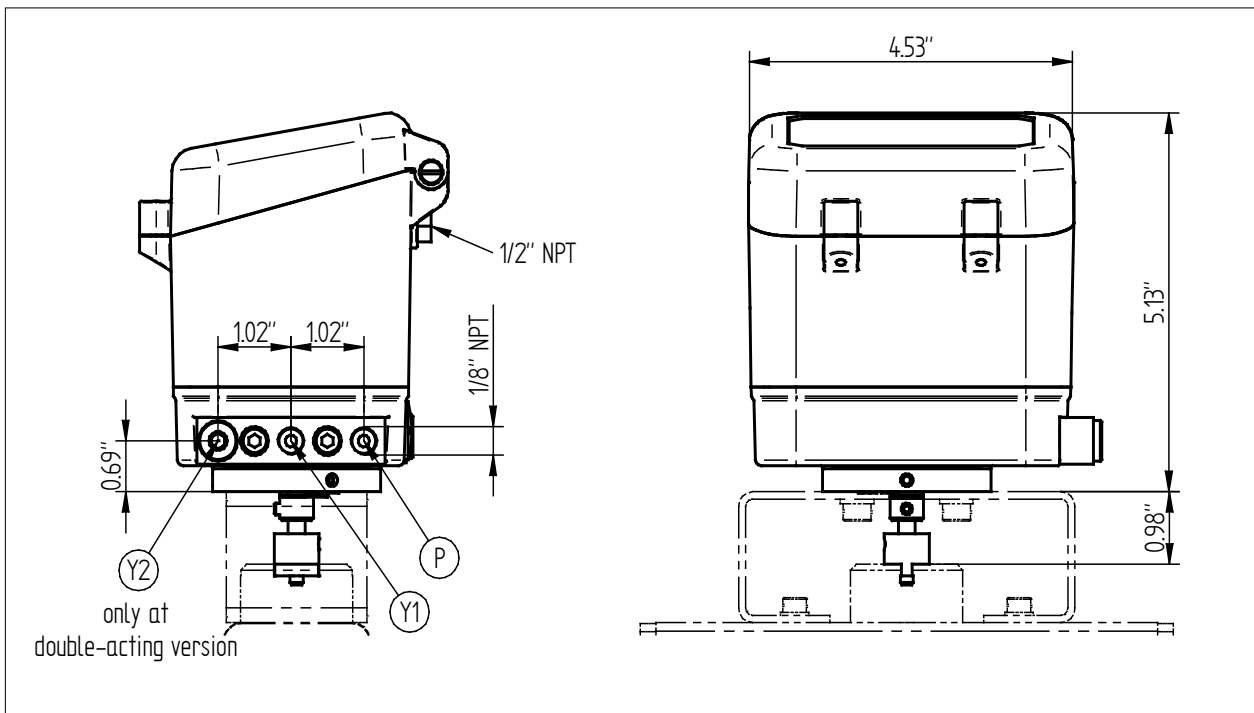
										quote only if required				
										S	-			
Basic design										8049/	-			
dig. positioner 8049-4 (version 5)										4P5				
dig. positioner 8049-2										2P7				
dig. positioner 8049-ExPro-1										EP3				
dig. positioner 8049-ExPro-0										0P3				
For actuator														
single acting										1				
double acting										2				
Air delivery														
standard										S				
high										H				
Body														
aluminium / plastic										0				
stainless steel ground plate										1				
body in stainless steel										2				
Electro-pneumatic connection														
cable bushing 2 x M16x1,5										0				
NPT-thread 1/2"										1				
plug connection M12x1, 5-pin										2				
Pneumatic connection														
G 1/8"										0				
NPT 1/8"										1				
Position measuring														
linear potentiometer without sensing pin										0				
linear potentiometer with standard sensing pin (L=3,92")										1				
linear potentiometer with curtaated sensing pin (L=3,72")										G				
rotary potentiometer for semi-rotary drive										2				
EMV-galvanic separating module for exterior path sensor										3				
Optical indicator														
without indicator										0				
indicator disc for sensing pin in PA										1				
indicator disc for sensing pin in metal										2				
rotation angle indicator										3				
Auxiliary module														
without auxiliary module										0				
intelligent feedback modul RM2 with two limiting value encoders										2				
intelligent feedback modul RM3 with two limiting value encoders according NAMUR										3				
intelligent feedback modul RM4 with two limiting value encoders according NAMUR										4				
IPC-process controller										C				
ASI										A				
Accessories														
without accessories										0				
gauge bloc single acting, scaling in bar and PSI										1				
optical position indicator for rotating actuators										2				
Further details														
special design (quote only if required)										S				
positioner montage (only for the manufacturer)										M				
Settings														
standard										-				
settings on customer request										1				
Special design														
without										-				
separated version incl. exterior path sensor for lift drive										1				
special design for ex zone 22 (dust)										2				

Dimensions

For linear actuators



For quarter-turn actuators



Configuration-Software „DeviceConfig“

Setup-Parameters

Adjustment of control parameters (input signal, stroke limitation, closing function, control hysteresis, valve function, etc.)

Positioner Type 8049 - Version:7.04.00

File Data transfer Actions Generate PDF Window Help

Device identifier: Schubert & Salzer PS8049

Control curve parameters

Setpoint signal
 Increasing signal opens
 Increasing signal closes
inverse function

Safety position
 Spring closes
 Spring opens

Shut off function settings
 Activated Bottom: 1,00% 4,16mA Top: 98,50% 19,76mA

Settings of the electronic stroke limit
 Bottom: 0,00% 0,00 mm Top: 100,00% 0,00 mm

Adjusting the lift load (flow range)
 Electr.: 0,00% 4,00mA Mech.: 0,00% 0,00 mm

Setting the control signal range
 Bottom: 20,00% 4,00mA Top: 100,00% 20,00mA

Display
 In percent In units

Setpoint assignment
 Digital (simulation /pinboard) Analog (voltage-/current input)

Setting the control hysteresis
 0.1 0.2 0.3 0.4 0.5 0.6 0.7 0.8 0.9 1 0.40%

Positioner-specific values
 Pulse length [filling]: 6 Pulse length [draining]: 4

Characteristic curve
 Graph showing h(w) [%] vs w[%] with a linear trend from (0,0) to (100,100).

CRC : 0N
 Comport : COM3 USB V3.0
 Variant:4Leiter MSP

Status: Default set Administrator 06.03.2018 09:12

Live-Monitor

The operating conditions of the positioner, can be viewed with the live monitor.

Simulation

0 - Schubert_Salzer PS8049

Set point value: 55,38 %

Actual value: 55,49 %

Deviation: 0,11

Error:
 Voltage Control error Setpoint signal error

Status:
 Drag pulses Not Adapted

Active setpoint source:
 Analogue setpoint signal Digital setpoint signal Manual mode

Setpoint signal error Binary input active Binary input open

p IN: 0 p OUT: 0
 Temperature: 22,5 °C Setpoint signal: 0,00 mA

Status- \ Error flags

Status- \ Error flags	Setpoint assignment	Step function	Sinus signal
<input type="radio"/> Valve travel	<input type="radio"/> Mintemp too low	<input type="radio"/> Not Adapted	
<input type="radio"/> Setpoint signal error	<input type="radio"/> Maxtemp exceeded	<input type="radio"/> No parameters	
<input type="radio"/> EEPROM	<input type="radio"/> Max switch number inlet	<input type="radio"/> Current input is cal.	
<input type="radio"/> Control error	<input type="radio"/> Max switch number outlet	<input checked="" type="radio"/> Drag pulses	
<input type="radio"/> Seal error	<input type="radio"/> Voltage	<input type="radio"/> Binary input open	
<input type="radio"/> Valve error	<input type="radio"/> Binary input active		

Setpoint assignment:
 Digital (simulation /pinboard) Analog (voltage-/current input)

Back

Configuration-Software „DeviceConfig“

Diagnostic data

Informations of valve stroke, running time, soft- and hardware-versions, achieved temperature- and stroke levels, error messages, number of cycles, operating hours...

Diagnosis

Base	Version information	Temperature- /way classes	Status / Error	Maintenance	Diagnosis																																	
		<p>Way classes</p> <table border="1"> <thead> <tr> <th>Class</th> <th>Range</th> <th>No. hours</th> </tr> </thead> <tbody> <tr><td>W1:</td><td>0 ./ 10%</td><td>232</td></tr> <tr><td>W2:</td><td>11 ./ 20%</td><td>17</td></tr> <tr><td>W3:</td><td>21 ./ 30%</td><td>15</td></tr> <tr><td>W4:</td><td>31 ./ 40%</td><td>7</td></tr> <tr><td>W5:</td><td>41 ./ 50%</td><td>7</td></tr> <tr><td>W6:</td><td>51 ./ 60%</td><td>8</td></tr> <tr><td>W7:</td><td>61 ./ 70%</td><td>16</td></tr> <tr><td>W8:</td><td>71 ./ 80%</td><td>9</td></tr> <tr><td>W9:</td><td>81 ./ 90%</td><td>13</td></tr> <tr><td>W10:</td><td>91 ./ 100%</td><td>57</td></tr> </tbody> </table>	Class	Range	No. hours	W1:	0 ./ 10%	232	W2:	11 ./ 20%	17	W3:	21 ./ 30%	15	W4:	31 ./ 40%	7	W5:	41 ./ 50%	7	W6:	51 ./ 60%	8	W7:	61 ./ 70%	16	W8:	71 ./ 80%	9	W9:	81 ./ 90%	13	W10:	91 ./ 100%	57			
Class	Range	No. hours																																				
W1:	0 ./ 10%	232																																				
W2:	11 ./ 20%	17																																				
W3:	21 ./ 30%	15																																				
W4:	31 ./ 40%	7																																				
W5:	41 ./ 50%	7																																				
W6:	51 ./ 60%	8																																				
W7:	61 ./ 70%	16																																				
W8:	71 ./ 80%	9																																				
W9:	81 ./ 90%	13																																				
W10:	91 ./ 100%	57																																				
		<p>Temperature classes</p> <table border="1"> <thead> <tr> <th>Class</th> <th>Range</th> <th>No. hours</th> </tr> </thead> <tbody> <tr><td>T1:</td><td>< -30 °C</td><td>0</td></tr> <tr><td>T2:</td><td>-30 ./ -15 °C</td><td>0</td></tr> <tr><td>T3:</td><td>-15 ./ 0 °C</td><td>0</td></tr> <tr><td>T4:</td><td>0 ./ 15 °C</td><td>0</td></tr> <tr><td>T5:</td><td>15 ./ 30 °C</td><td>190</td></tr> <tr><td>T6:</td><td>30 ./ 45 °C</td><td>331</td></tr> <tr><td>T7:</td><td>45 ./ 60 °C</td><td>1</td></tr> <tr><td>T8:</td><td>60 ./ 75 °C</td><td>0</td></tr> <tr><td>T9:</td><td>75 ./ 85 °C</td><td>0</td></tr> <tr><td>T10:</td><td>> 85 °C</td><td>0</td></tr> </tbody> </table>	Class	Range	No. hours	T1:	< -30 °C	0	T2:	-30 ./ -15 °C	0	T3:	-15 ./ 0 °C	0	T4:	0 ./ 15 °C	0	T5:	15 ./ 30 °C	190	T6:	30 ./ 45 °C	331	T7:	45 ./ 60 °C	1	T8:	60 ./ 75 °C	0	T9:	75 ./ 85 °C	0	T10:	> 85 °C	0			
Class	Range	No. hours																																				
T1:	< -30 °C	0																																				
T2:	-30 ./ -15 °C	0																																				
T3:	-15 ./ 0 °C	0																																				
T4:	0 ./ 15 °C	0																																				
T5:	15 ./ 30 °C	190																																				
T6:	30 ./ 45 °C	331																																				
T7:	45 ./ 60 °C	1																																				
T8:	60 ./ 75 °C	0																																				
T9:	75 ./ 85 °C	0																																				
T10:	> 85 °C	0																																				
					Back																																	

application example

Positioner 8049 top mounted on GS-Control Valve Model 8021



Positioner 8049 top mounted on Aseptic Right Angle Control Valve Model 6051 with stainless steel body



Text and pictures are not binding. We reserve the right to alter the equipment.