

DESCRIPTION

Model V-Brass Series is a Venturi style flow meter of the “Low Pressure Loss” design. It is machined according to exacting specifications using high quality materials. This unit is produced from a solid brass hex bar and comes with NPT or sweat ends. The V-Brass flow meter is available in four throat sizes to cover a wide range of applications. It is assembled with brass ball valves for instrumentation control and is easily installed. It is a cost effective means to measure flow in commercial applications.

CONFIGURATION

The Venturi flow meter inlet section is cylindrical with a pressure sensing tap, the same diameter as the incoming pipe section. The tap is followed by a precise convergent section that causes a uniform change in fluid velocity. The cylindrical throat section with a pressure sensing tap, straight section and exit cone has a precise angle to prevent permanent pressure loss that does not exceed 12% of the generated differential pressure. The beta ratio is determined by the manufacturer according to recognized standards and formulas. The discharge coefficient (Cd) is linear and stable in the operating flow range, has a value above 0.985, and is achieved by adhering to ASME standards.

FEATURES

- Solid hex bar (ASTM B16)
- 1/8 in. MNPT × 1/4 in. SAE brass ball
- NPT or sweat ends
- Polycarbonate ID tag
- Maximum temperature 250° F (121° C)
- Maximum pressure 400 psig (2758 kPa)



APPLICABLE FLUIDS

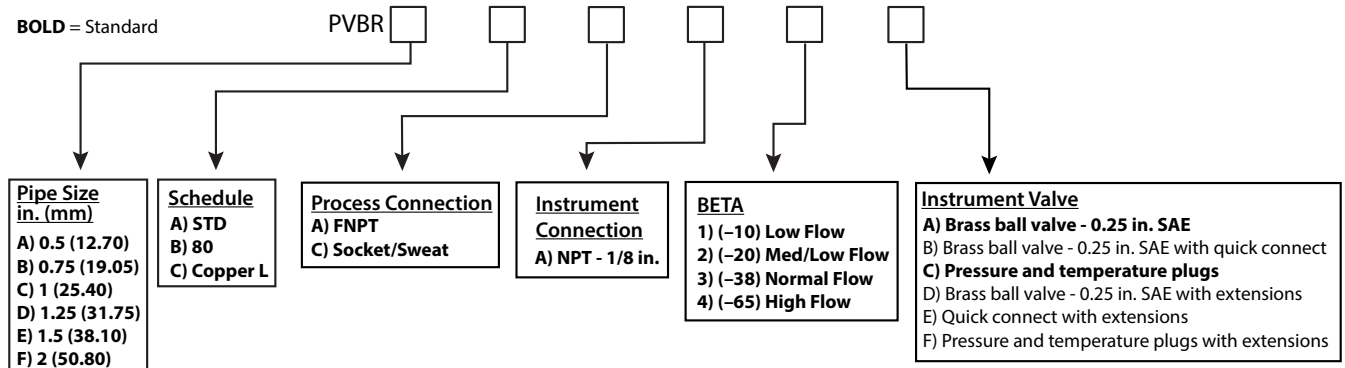
Liquids and gases

OPTIONS

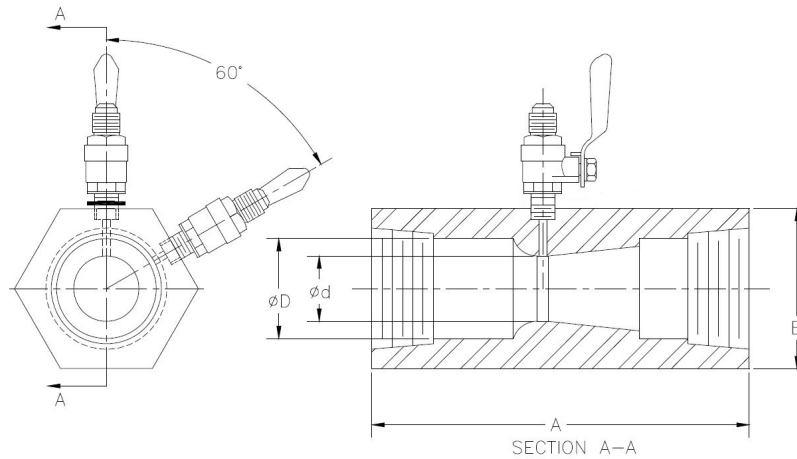
- Quick disconnect fittings
- Pressure and temperature plugs
- Pressure port extensions
- Stainless steel ID tag

PART NUMBER MATRIX

BOLD = Standard



DIMENSIONS



Throat Size	Model	Ød in. (mm)	ØD in. (mm)	BETA	A in. (mm)	B in. (mm)	App. Weight lbs (kg)
1/2 in. -10	PVBRAXXA1X	0.228 (5.79)	0.622 (15.80)	0.367 (9.32)	3.25 (82.55)	1.50 (38.10)	1.8 (0.82)
1/2 in. -20	PVBRAXXA2X	0.307 (7.80)	0.622 (15.80)	0.494 (12.55)	3.00 (76.20)	1.50 (38.10)	1.6 (0.73)
1/2 in. -38	PVBRAXXA3X	0.375 (9.53)	0.622 (15.80)	0.603 (15.32)	2.75 (69.85)	1.50 (38.10)	1.5 (0.68)
1/2 in. -65	PVBRAXXA4X	0.500 (12.70)	0.622 (15.80)	0.804 (20.42)	2.25 (57.15)	1.50 (38.10)	1.1 (0.50)
3/4 in. -10	PVBRBXXA1X	0.313 (7.95)	0.824 (20.93)	0.380 (9.65)	4.00 (101.60)	1.75 (44.45)	2.9 (1.32)
3/4 in. -20	PVBRBXXA2X	0.407 (10.34)	0.824 (20.93)	0.494 (12.55)	3.75 (95.25)	1.75 (44.45)	2.7 (1.22)
3/4 in. -38	PVBRBXXA3X	0.438 (11.13)	0.824 (20.93)	0.532 (13.51)	3.50 (88.90)	1.75 (44.45)	2.5 (1.13)
3/4 in. -65	PVBRBXXA4X	0.625 (15.88)	0.824 (20.93)	0.759 (19.28)	2.75 (69.85)	1.75 (44.45)	1.8 (0.82)
1 in. -10	PVBRXCXA1X	0.375 (9.53)	1.049 (26.64)	0.358 (9.09)	4.88 (123.95)	2.00 (50.80)	4.6 (2.09)
1 in. -20	PVBRXCXA2X	0.500 (12.70)	1.049 (26.64)	0.477 (12.12)	4.88 (123.95)	2.00 (50.80)	4.5 (2.04)
1 in. -38	PVBRXCXA3X	0.625 (15.88)	1.049 (26.64)	0.596 (15.14)	3.88 (98.55)	2.00 (50.80)	3.4 (1.54)
1 in. -65	PVBRXCXA4X	0.859 (21.82)	1.049 (26.64)	0.819 (20.80)	3.00 (76.20)	2.00 (50.80)	2.4 (1.09)
1-1/4 in. -10	PVBRDXXA1X	0.500 (12.70)	1.380 (35.05)	0.362 (9.19)	6.13 (155.70)	2.25 (57.15)	7.2 (3.27)
1-1/4 in. -20	PVBRDXXA2X	0.688 (17.48)	1.380 (35.05)	0.499 (12.67)	5.13 (130.30)	2.25 (57.15)	5.8 (2.63)
1-1/4 in. -38	PVBRDXXA3X	0.875 (22.23)	1.380 (35.05)	0.634 (16.10)	4.50 (114.30)	2.25 (57.15)	4.7 (2.13)
1-1/4 in. -65	PVBRDXXA4X	1.125 (28.58)	1.380 (35.05)	0.815 (20.70)	3.50 (88.90)	2.25 (57.15)	3.2 (1.45)
1-1/2 in. -10	PVBREXXA1X	0.625 (15.88)	1.610 (40.89)	0.388 (9.86)	6.13 (155.70)	2.50 (63.50)	8.8 (3.99)
1-1/2 in. -20	PVBREXXA2X	0.799 (20.29)	1.610 (40.89)	0.496 (12.60)	6.13 (155.70)	2.50 (63.50)	8.4 (3.81)
1-1/2 in. -38	PVBREXXA3X	1.000 (25.40)	1.610 (40.89)	0.621 (15.77)	5.00 (127.00)	2.50 (63.50)	6.4 (2.90)
1-1/2 in. -65	PVBREXXA4X	1.313 (33.35)	1.610 (40.89)	0.816 (20.73)	3.88 (98.55)	2.50 (63.50)	4.3 (1.95)
2 in. -10	PVBRFXXA1X	0.750 (19.05)	2.067 (52.50)	0.363 (9.22)	7.88 (200.15)	3.00 (76.20)	16.2 (7.35)
2 in. -20	PVBRFXXA2X	1.021 (25.93)	2.067 (52.50)	0.494 (12.55)	7.63 (193.80)	3.00 (76.20)	14.8 (6.71)
2 in. -38	PVBRFXXA3X	1.375 (34.93)	2.067 (52.50)	0.665 (16.89)	5.38 (136.65)	3.00 (76.20)	9.3 (4.22)
2 in. -65	PVBRFXXA4X	1.688 (42.88)	2.067 (52.50)	0.817 (20.75)	4.25 (107.95)	3.00 (76.20)	6.4 (2.90)

Control. Manage. Optimize.

Preso and Ellipse are registered trademarks of Badger Meter, Inc. Other trademarks appearing in this document are the property of their respective entities. Due to continuous research, product improvements and enhancements, Badger Meter reserves the right to change product or system specifications without notice, except to the extent an outstanding contractual obligation exists. © 2018 Badger Meter, Inc. All rights reserved.

www.badgermeter.com

The Americas | Badger Meter | 4545 West Brown Deer Rd | PO Box 245036 | Milwaukee, WI 53224-9536 | 800-876-3837 | 414-355-0400
 México | Badger Meter de las Americas, S.A. de C.V. | Pedro Luis Ogazón N°32 | Esq. Angelina N°24 | Colonia Guadalupe Inn | CP 01050 | México, DF | México | +52-55-5662-0882
 Europe, Eastern Europe Branch Office (for Poland, Latvia, Lithuania, Estonia, Ukraine, Belarus) | Badger Meter Europe | ul. Korfantego 6 | 44-193 Knurów | Poland | +48-32-236-8787
 Europe, Middle East and Africa | Badger Meter Europa GmbH | Nurtinger Str 76 | 72639 Neuffen | Germany | +49-7025-9208-0
 Europe, Middle East Branch Office | Badger Meter Europe | PO Box 341442 | Dubai Silicon Oasis, Head Quarter Building, Wing C, Office #C209 | Dubai / UAE | +971-4-371 2503
 Slovakia | Badger Meter Slovakia s.r.o. | Racianska 109/B | 831 02 Bratislava, Slovakia | +421-2-44 63 83 01
 Asia Pacific | Badger Meter | 80 Marine Parade Rd | 21-06 Parkway Parade | Singapore 449269 | +65-63464836
 China | Badger Meter | 7-1202 | 99 Hangzhong Road | Minhang District | Shanghai | China 201101 | +86-21-5763 5412
 Switzerland | Badger Meter Swiss AG | Mittelholzerstrasse 8 | 3006 Bern | Switzerland | +41-31-932 01 11