



# Electric

## *Spring Return Actuators*



**SRX Series**

**Spring Return Electric Actuators**

Mechanical Spring Torques up to 1800 In-Lbs

# Features and Standard Specifications

## SRX Series

### Electric Spring Return Actuators

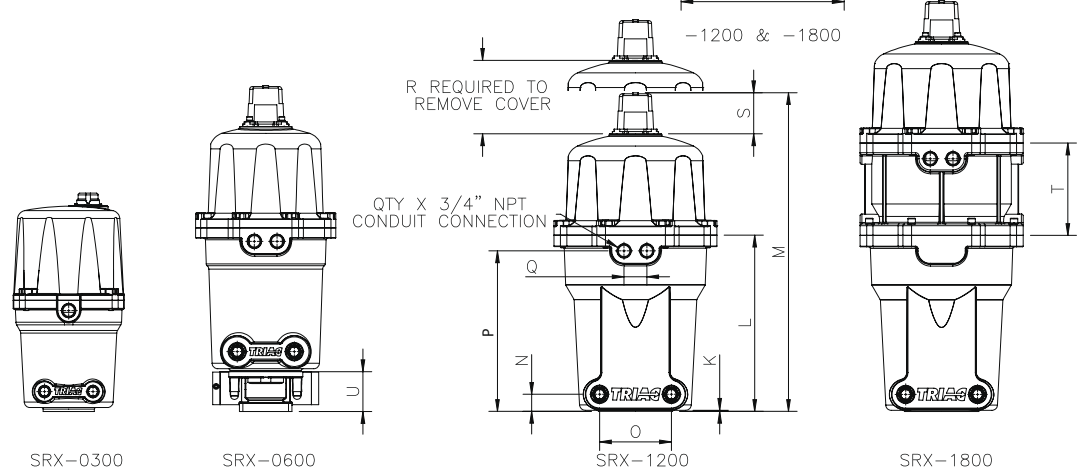
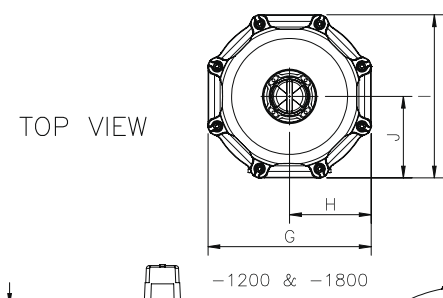
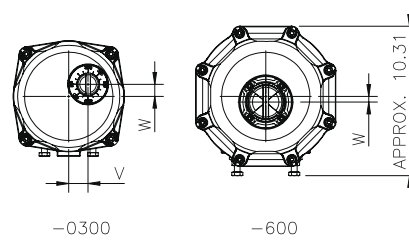
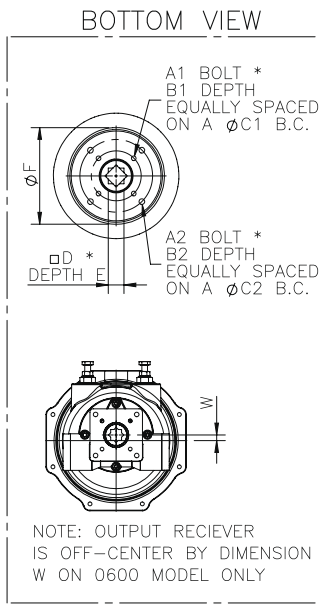


#### Standard Specifications

<b>Enclosure:</b>	Explosion Proof, Class I, Division 1, Groups C & D, T4 Design Weatherproof, Type 4, 4x	
<b>Power Supply:</b>	24 VDC (SRX-0600 only), 120/220 VAC 1PH, 50/60 Hz	
<b>Motor</b>	<b>24VDC</b>	24V 100W 5A (SRX-0600 only)
	<b>110VAC</b>	110V 50/60 Hz 30W 0.5A
	<b>220VAC</b>	220V 50/60 Hz 30W 0.33A
<b>Limit Switches</b>	<b>24VDC</b>	15A 1/2HP @125/250VAC (SRX-0600 only)
	<b>110VAC</b>	11A 11/3HP @125/250/277VAC 1/2A 125VDC, 1 1/4A 250VDC
	<b>220VAC</b>	11A 11/3HP @125/250/277VAC 1/2A 125VDC, 1 1/4A 250VDC
<b>Stall Protection:</b>	Built in thermal protection, Open at 130±5°C, Close at 85±15°C	
<b>Travel Angle:</b>	0 to 90° ± 10°	
<b>Indicator:</b>	Continuous position indicator	
<b>Space Heater:</b>	10W 2.5A Anti-Condensation	
<b>Cable Conduit:</b>	Two 3/4" NPT (SRX-0300 has One 3/4" NPT)	
<b>Lubrication:</b>	Grease Synthetic	
<b>Terminal Block:</b>	Spring loaded lever push type	
<b>Materials:</b>	Carbon Steel, Alloy Steel, Spring Steel, Stainless Steel, Aluminum Alloy, NBR, ABS and Polycarbonate Plastic	
<b>Ambient Temperature:</b>	-40°F to 140°F (-40°C to 60°C)	
<b>External Coating:</b>	Powder Coating	

# Technical and Dimensional Information

## SRX Models

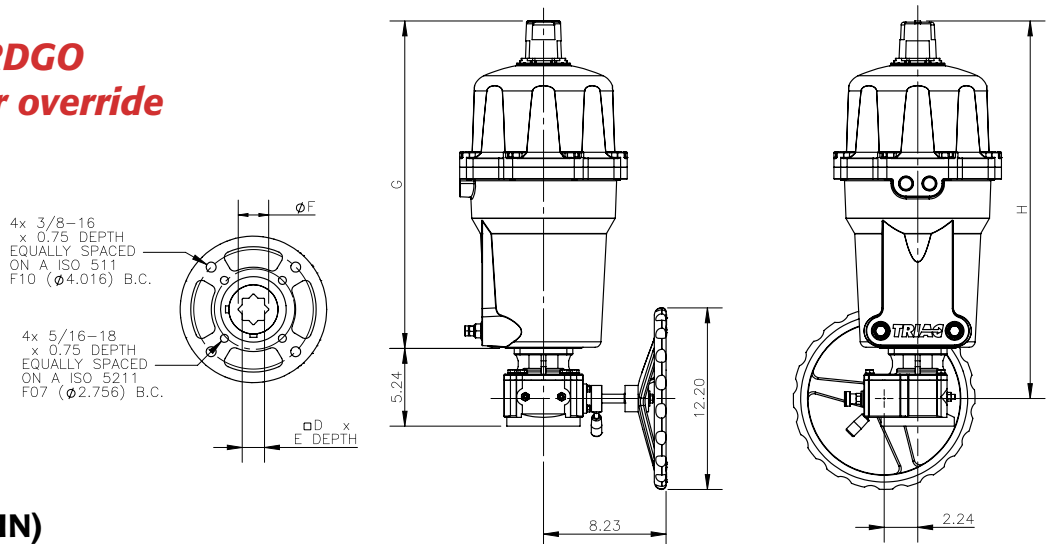


### DIMENSIONS (IN)

Model	ISO 5211	A1	A2	B1	B2	C1	C2	D	E	F	G	H	I	J	K	L	M	N
SRX-0300	F07	5/16-18	-	0.47	-	2.756	-	0.669	1.14	3.78	7.68	3.84	7.97	4.13	0.28	7.68	15.08	1.38
SRX-0600	F07/F10	5/16-18	3/8-16	0.59	0.59	2.756	4.016	0.748	1.89	-	9.69	4.84	9.69	4.84	0.20	12.68	22.52	4.13
SRX-1200	F07/F10	5/16-18	3/8-16	0.47	0.59	2.756	4.016	0.866	1.22	5.34	11.26	5.63	11.26	5.63	0.08	12.17	22.01	1.18
SRX-1800	F07/F10	5/16-18	3/8-16	0.47	0.59	2.756	4.016	0.866	1.22	5.34	11.26	5.63	11.26	5.63	0.08	12.17	28.39	1.18

Model	O	P	Q	R	S	T	U	V	W	X
SRX-0300	3.35	7.68	-	5.85	0.87	-	-	1.34	0.83	1
SRX-0600	3.94	11.75	1.57	5.37	2.83	-	2.76	-	0.39	2
SRX-1200	4.96	12.17	1.57	5.44	2.83	-	-	-	-	2
SRX-1800	4.96	17.46	1.57	5.47	2.83	6.38	-	-	-	2

## SRX with 2RDGO manual gear override



### DIMENSIONS (IN)

Model	Model 2RDGO	D	E	F	G	H	HANDWHEEL TURNS
SRX-0300	-19	0.669	0.78	1.02	15.08	18.47	9
SRX-0600	-19	0.748	0.78	1.02	22.52	25.91	9
SRX-1200	-22	0.866	1.06	1.19	22.01	25.40	9
SRX-1800	-22	0.866	1.06	1.19	28.39	31.78	9

# Electric Spring Return Actuators

## SRX Series

Electric schematic drawings for various sizes and options are available at [www.atcontrols.com](http://www.atcontrols.com). Search "SRX" or navigate to the SRX Series product page:

Home / Actuators / Electric Actuators / Fail Safe Spring Return

### Wiring Diagram Reference

Model	Description	Drawing
SRX-0300 thru SRX-1200	115/220 VAC 1PH, Two Position	SE01668
SRX-0600	24 VDC	SE01669

### Technical Data

Actuator Model	Spring End Torque	90° Cycle Time	Spring Fail Time	Motor Size	Rated Amps			Duty Cycle	Weight	
					DC	AC			Standard	w/ Manual Override
SIZE	in-lbs	seconds	seconds	Watts	24V	110V	220V	%	Lbs.	Lbs.
SRX-0300	300	10	2	30	N/A	1.0	0.5	50	32	72
SRX-0600	600	30	2	30	20.2	1.0	0.5	50	62	102
SRX-1200	1200	30	7	30	N/A	1.0	0.5	50	80	120
SRX-1800	1800	30	7	30	N/A	1.0	0.5	50	120	160

### SRX Series How to Order

1 Model	
SRX	Explosion Proof, Class I, Division 1, Groups C & D, T4 Design Weatherproof, Type 4, 4x

2 Main Control	
blank	(2) Position Control (Open / Close)
M	Standard Modulating Control Card with 4-20mA Transmitter
E	Ethernet On/Off
F	Ethernet Proportional Control/Feedback
P	Profibus DP On/Off
Q	Profibus DP Proportional Control/Feedback
R	Modbus RTU On/Off
Z	Modbus RTU Proportional Control/Feedback

#### 3 Actuator Sizes (SRX)

Size	
-0300	300 In-Lbs
-0600	600 In-Lbs
-1200	1200 In-Lbs
-1800	1800 In-Lbs

#### 4 Motor

X	110VAC / 1Phase	
C	24VDC	(SRX-0600 model only)
D	24VAC - On/Off	(SRX-0600 model only)
E	220VAC / 1Phase	

#### 5 Secondary Control Options

X	No Options / Multiple Option Designation
---	--

#### 6 Miscellaneous Options 1 other options available upon request

X	No options / Multiple Option Designation
T	0-10VDC or 4-20mA Transmitter (2 Position Only)
N	1000 Ohm Potentiometer (2 Position Only)
O	5000 Ohm Potentiometer (2 Position Only)
P	10K Ohm Potentiometer (2 Position Only)

#### 7 Fail Direction

FC	Fail Close / Clockwise
FO	Fail Open / Counter-Clockwise

#### 8 Additional Options

blank	Standard
M	Manual Override



#### HOW TO ORDER ELECTRIC ACTUATORS

1 2 - 3 4 5 6 - 7 - 8  
 ↓ ↓ ↓ ↓ ↓ ↓ ↓ ↓  
 SRX M -1200 X X X - FC